

NOMENCLATURE



IN-LINE HELICAL C-FACE REDUCERS (ILH)

Ex:

1	2	3	4	5	6	7	/	8	9	10	10a	10b	11	11a
H	B	88	2	C	N	180TC	/	20.81	A1	S	I	2.125	-	-

1. PRODUCT TYPE

H = ILH

2. OUTPUT CONFIGURATION

B = Foot Mounted
F = Flange Mounted

3. UNIT SIZE

38 48 68 88
108 128 148 168

4. STAGE OF REDUCTION

1 = Single Reduction
2 = Double Reduction
3 = Triple Reduction

5. INPUT CONFIGURATION

C = Clamp Collar
L = 3 Pc Coupling

6. MOTOR TYPE

N = Nema
I = IEC

7. MOTOR FRAME

Nema

56C 140TC 180TC 210TC
250TC 280TC 320TC 360TC

IEC

71D 80D 90D 100D 112D 132D
160D 180D 200D 225D 250D

8. RATIO (Use actual ratio from Selection pages)

ILH 38	1.59	-	191.75
ILH 48	1.52	-	208.77
ILH 68	1.41	-	281.01
ILH 88	1.71	-	300.41
ILH 108	5.51	-	359.30
ILH 128	3.63	-	268.16
ILH 148	4.92	-	336.11
ILH 168	4.93	-	341.61

9. MOUNTING POSITIONS (See page ILH-7)

A1 A2 A3
A4 A5 A6

10. OUTPUT SHAFT TYPE

S = Single Extension Solid Shaft

10a. OUTPUT SHAFT DIMENSION

I = Inch
M = Metric

10b. OUTPUT SHAFT DIAMETER - Double/Triple Reduction

	Std	Optional	
ILH 38	1.000	1.250	25mm 30mm
ILH 48	1.250	1.625	30mm 40mm
ILH 68	1.625	2.125	40mm 50mm

10b. OUTPUT SHAFT DIAMETER - Double/Triple Reduction (continued)

	Std	Optional	
ILH 88	2.125	2.375	50mm 60mm
ILH 108	2.375	2.875	60mm 70mm
ILH 128	2.875	3.625	70mm 90mm
ILH 148	3.625	4.000	90mm 100mm
ILH 168	4.000	4.750	100mm 120mm

OUTPUT SHAFT DIAMETER - Single Reduction

	Std	Optional
ILH 38	0.875	20mm
ILH 48	1.125	25mm
ILH 68	1.375	30mm
ILH 88	1.625	40mm

11. OUTPUT FLANGE TYPE (HF Style Housing)

B5
B14 (Std)
NEMA (Single Reduction)

11a. OUTPUT FLANGE DIAMETER - Double/Triple Reduction

	Std	Optional	
	B14 Flange	B5 Flange	
ILH 38	120mm	160mm	200mm
ILH 48	160mm	200mm	250mm
ILH 68	190mm	250mm	300mm
ILH 88	245mm	300mm	350mm
ILH 108	300mm	350mm	450mm
ILH 128	340mm	350mm	450mm
ILH 148	340mm	450mm	550mm
ILH 168	400mm	450mm	550mm

OUTPUT FLANGE DIAMETER - Single Reduction

	Std	Optional	
	B14 Flange	B5 Flange	NEMA Flange
ILH 38	120mm	160mm	140TC
ILH 48	120mm	160mm	180TC
ILH 68	160mm	200mm	210TC
ILH 88	190mm	250mm	-
		300mm	

MOUNTING POSITIONS PAGE ILH-7	SELECTION REDUCER PAGE ILH-14	DIMENSIONS PAGE ILH-118	THERMAL RATINGS PAGE ILH-335
----------------------------------	----------------------------------	----------------------------	---------------------------------

NOMENCLATURE



IN-LINE HELICAL SEPARATE REDUCERS (ILH)

Ex:

1	2	3	4	5	6	7
H	F	38	2	S	I	71

 /

8	9	10	10a	10b	11	11a
4.77	A1	S	I	1.000	B5	160MM

1. PRODUCT TYPE

H = ILH

2. OUTPUT CONFIGURATION

B = Foot Mounted
F = Flange Mounted

3. UNIT SIZE

38 48 68 88
108 128 148 168

4. STAGE OF REDUCTION

1 = Single Reduction
2 = Double Reduction
3 = Triple Reduction

5. INPUT CONFIGURATION

S = Separate

6. INPUT SHAFT DIMENSION

I = Inch
M = Metric

7. SEPARATE GROUP

71 80 90 100 112
132 160 180 225 250

8. RATIO (Use actual ratio from Selection pages)

ILH 38	1.59	-	191.75
ILH 48	1.52	-	208.77
ILH 68	1.41	-	281.01
ILH 88	1.71	-	300.41
ILH 108	5.51	-	359.30
ILH 128	3.63	-	268.16
ILH 148	4.92	-	336.11
ILH 168	4.93	-	341.61

9. MOUNTING POSITIONS (See page ILH-7)

A1 A2 A3
A4 A5 A6

10. OUTPUT SHAFT TYPE

S = Single Extension Solid Shaft

10a. OUTPUT SHAFT DIMENSION

I = Inch
M = Metric

10b. OUTPUT SHAFT DIAMETER - Double/Triple Reduction

	Std	Optional		
ILH 38	1.000	1.250	25mm	30mm
ILH 48	1.250	1.625	30mm	40mm
ILH 68	1.625	2.125	40mm	50mm
ILH 88	2.125	2.375	50mm	60mm
ILH 108	2.375	2.875	60mm	70mm
ILH 128	2.875	3.625	70mm	90mm
ILH 148	3.625	4.000	90mm	100mm
ILH 168	4.000	4.750	100mm	120mm

OUTPUT SHAFT DIAMETER - Single Reduction

	Std	Optional
ILH 38	0.875	20mm
ILH 48	1.125	25mm
ILH 68	1.375	30mm
ILH 88	1.625	40mm

11. OUTPUT FLANGE TYPE (HF Style Housing)

B5
B14 (Std)
NEMA (Single Reduction)

11a. OUTPUT FLANGE DIAMETER - Double/Triple Reduction

	Std	Optional
	B14 Flange	B5 Flange
ILH 38	120mm	160mm
		200mm
ILH 48	160mm	200mm
		250mm
ILH 68	190mm	250mm
		300mm
ILH 88	245mm	300mm
		350mm
ILH 108	300mm	350mm
		450mm
ILH 128	340mm	350mm
		450mm
ILH 148	340mm	450mm
		550mm
ILH 168	400mm	450mm
		550mm

OUTPUT FLANGE DIAMETER - Single Reduction

	Std	Optional	
	B14 Flange	B5 Flange	NEMA Flange
ILH 38	120mm	160mm	140TC
		200mm	
ILH 48	120mm	160mm	180TC
		200mm	
ILH 68	160mm	200mm	210TC
		250mm	
ILH 88	190mm	250mm	-
		300mm	

MOUNTING POSITIONS PAGE ILH-7	SELECTION REDUCER PAGE ILH-14	DIMENSIONS PAGE ILH-118	THERMAL RATINGS PAGE ILH-335
----------------------------------	----------------------------------	----------------------------	---------------------------------

NOMENCLATURE



IN-LINE HELICAL INTEGRAL GEARMOTORS (ILH)

Ex:

1	2	3	4	5	6	7	/	8	9	10	10a	10b	11	11a	12
H	B	48	2	G	H	71E4	/	31.77	A4	S	I	1.250	-	-	-

1. PRODUCT TYPE

H = ILH

2. OUTPUT CONFIGURATION

B = Foot Mounted

F = Flange Mounted

3. UNIT SIZE

38 48 68 88

108 128 148 168

4. STAGE OF REDUCTION

1 = Single Reduction

2 = Double Reduction

3 = Triple Reduction

5. INPUT CONFIGURATION

G = Integral Gearmotor

6. MOTOR TYPE

H = Horsepower

7. MOTOR FRAME

71C4	.25 Hp	90I4	2 Hp
71D4	.33 Hp	100J4	3 Hp
71E4	.50 Hp	112L4	5 Hp
80F4	.75 Hp	132M4	7.5 Hp
80G4	1 Hp	132N4	10 Hp
90H4	1.5 Hp		

8. RATIO (Use actual ratio from Selection pages)

ILH 38	1.59	- 191.75
ILH 48	1.52	- 208.77
ILH 68	1.41	- 281.01
ILH 88	1.71	- 300.41
ILH 108	5.51	- 359.30
ILH 128	3.63	- 268.16
ILH 148	4.92	- 336.11
ILH 168	4.93	- 341.61

9. MOUNTING POSITIONS (See page ILH- 7)

A1 A2 A3
A4 A5 A6

10. OUTPUT SHAFT TYPE

S = Single Extension Solid Shaft

10a. OUTPUT SHAFT DIMENSION

I = Inch

M = Metric

10b. OUTPUT SHAFT DIAMETER - Double/Triple Reduction

	Std		Optional	
ILH 38	1.000	1.250	25mm	30mm
ILH 48	1.250	1.625	30mm	40mm
ILH 68	1.625	2.125	40mm	50mm
ILH 88	2.125	2.375	50mm	60mm
ILH 108	2.375	2.875	60mm	70mm

10b. OUTPUT SHAFT DIAMETER - Double/Triple Reduction (continued)

	Std		Optional	
ILH 128	2.875	3.625	70mm	90mm
ILH 148	3.625	4.000	90mm	100mm
ILH 168	4.000	4.750	100mm	120mm

OUTPUT SHAFT DIAMETER - Single Reduction

	Std	Optional
ILH 38	0.875	20mm
ILH 48	1.125	25mm
ILH 68	1.375	30mm
ILH88	1.625	40mm

11. OUTPUT FLANGE TYPE (HF Style Housing)

B5

B14 (Std)

NEMA (Single Reduction)

11a. OUTPUT FLANGE DIAMETER - Double/Triple Reduction

	Std	Optional	
	B14 Flange	B5 Flange	
ILH 38	120mm	160mm	200mm
ILH 48	160mm	200mm	250mm
ILH 68	190mm	250mm	300mm
ILH 88	245mm	300mm	350mm
ILH 108	300mm	350mm	450mm
ILH 128	340mm	350mm	450mm
ILH 148	340mm	450mm	550mm
ILH 168	400mm	450mm	550mm

OUTPUT FLANGE DIAMETER - Single Reduction

	Std	Optional	
	B14 Flange	B5 Flange	NEMA Flange
ILH 38	120mm	160mm	140TC
ILH 48	120mm	160mm	180TC
ILH 68	160mm	200mm	210TC
ILH 88	190mm	250mm	-
		300mm	

MOUNTING POSITIONS PAGE ILH-7	SELECTION GEARMOTOR PAGE ILH-78	DIMENSIONS PAGE ILH-118	THERMAL RATINGS PAGE ILH-335
----------------------------------	------------------------------------	----------------------------	---------------------------------

QUANTIS

QUANTIS GOLD

ILH

RHB

MSM

SELECTION



IN-LINE HELICAL REDUCER (ILH)

SIZE: H_382
60 HZ

Service Factor - 1.0 Clamp Collar / 3 Pc Coupled / Separate
DOUBLE REDUCTION

NEMA MOTOR FRAME IEC MOTOR FRAME SEPARATE GROUP		56C 71D 71			--- 80D 80			140TC 90D 90			180TC 100D 100		
RATIO	OUTPUT RATING DATA	3450	1750	1160	3450	1750	1160	3450	1750	1160	3450	1750	1160
24.50	Output RPM	141	71	47	141	71	47	141	71	47	-	-	-
	Input HP (Max) (C)	2.59	1.41	0.97	3.90	2.21	1.46	3.90	2.21	1.46	-	-	-
	Output Torque, In-Lb	1158	1241	1286	1744	1947	1947	1744	1947	1947	-	-	-
	OHL Input Shaft OHL Output Shaft (B)	(A) 416	218 546	227 881	(A) 416	343 546	357 881	(A) 416	455 546	475 881	- -	- -	- -
27.97	Output RPM	123	63	41	123	63	41	123	63	41	-	-	-
	Input HP (Max) (C)	2.32	1.26	0.87	3.56	1.93	1.28	3.56	1.93	1.28	-	-	-
	Output Torque, In-Lb	1187	1272	1318	1818	1947	1947	1818	1947	1947	-	-	-
	OHL Input Shaft OHL Output Shaft (B)	(A) 416	219 881	227 881	(A) 416	344 881	358 881	(A) 416	455 881	476 881	- -	- -	- -
31.80	Output RPM	108	55	36	108	55	36	108	55	36	-	-	-
	Input HP (Max) (C)	2.09	1.13	0.78	3.26	1.70	1.13	3.26	1.70	1.13	-	-	-
	Output Torque, In-Lb	1213	1299	1346	1893	1947	1947	1893	1947	1947	-	-	-
	OHL Input Shaft OHL Output Shaft (B)	(A) 416	219 881	228 1117	(A) 416	345 881	359 1117	(A) 416	456 881	476 1117	- -	- -	- -
34.04	Output RPM	101	51	34	101	51	34	101	51	34	-	-	-
	Input HP (Max) (C)	1.97	1.07	0.74	3.01	1.59	1.05	3.01	1.59	1.05	-	-	-
	Output Torque, In-Lb	1226	1313	1361	1871	1947	1947	1871	1947	1947	-	-	-
	OHL Input Shaft OHL Output Shaft (B)	(A) 416	219 881	228 1117	(A) 416	345 881	359 1117	(A) 416	456 881	476 1117	- -	- -	- -
39.24	Output RPM	88	45	30	88	45	30	-	-	-	-	-	-
	Input HP (Max) (C)	1.74	0.95	0.65	1.93	1.38	0.72	-	-	-	-	-	-
	Output Torque, In-Lb	1250	1339	1388	1385	1947	1530	-	-	-	-	-	-
	OHL Input Shaft OHL Output Shaft (B)	(A) 546	219 881	228 1117	(A) 546	346 881	360 1117	- -	- -	- -	- -	- -	- -
44.12	Output RPM	78	40	26	-	-	-	-	-	-	-	-	-
	Input HP (Max) (C)	1.52	0.86	0.56	-	-	-	-	-	-	-	-	-
	Output Torque, In-Lb	1224	1359	1352	-	-	-	-	-	-	-	-	-
	OHL Input Shaft OHL Output Shaft (B)	(A) 546	219 1117	228 1117	- -	- -	- -	- -	- -	- -	- -	- -	- -

(A) (B) (C) - See Footnotes page on inside back cover
Blank areas (-) indicate configuration not available

NOMENCLATURE PAGE ILH-4	STOCK/NON-STOCK PART NUMBERS PAGE ILH-67	DIMENSIONS PAGE ILH-120	THERMAL RATINGS PAGE ILH-335
----------------------------	---	----------------------------	---------------------------------

NOMENCLATURE



RIGHT ANGLE HELICAL BEVEL C-FACE REDUCERS (RHB)

Ex:

1	2	3	4	5	6	7	/	8	9	9a	10	10a	10b	11	11a	11b	12	13	13a	13b
B	F	38	3	L	N	56C	/	9.72	A1	A	H	I	1.250	-	-	-	K	-	-	-

1. PRODUCT TYPE

B = RHB

2. OUTPUT CONFIGURATION

B = Foot Mounted
F = Flange / Shaft Mounted

3. UNIT SIZE

38 48 68 88
108 128 148 168

4. STAGE OF REDUCTION

3 = Triple Reduction

5. INPUT CONFIGURATION

C = Clamp Collar
L = 3 Pc Coupling

6. MOTOR TYPE

N = Nema
I = IEC

7. MOTOR FRAME

NEMA

56C 140TC 180TC 210TC
250TC 280TC 320TC 360TC

IEC

71D 80D 90D 100D 112D 132D
160D 180D 200D 225D 250D

8. RATIO (Use Actual Ratios From Selection

Pages)

RHB 38	5.65 - 179.13
RHB 48	7.22 - 169.53
RHB 68	5.36 - 243.72
RHB 88	5.54 - 302.38
RHB 108	7.68 - 307.24
RHB 128	7.10 - 295.38
RHB 148	4.83 - 306.08
RHB 168	6.61 - 287.95

9. MOUNTING POSITIONS (See page RHB-11)

A1	A2	A3
A4	A5	A6

9a. OUTPUT SHAFT POSITION

A B AB

10. OUTPUT SHAFT TYPE

S = Single Extension Solid Shaft
H = Straight Hollow Bore
T = Tapered Hollow Bore
D = Double Extension solid Shaft
C = Shrink Disk

10a. OUTPUT SHAFT DIMENSION

I = Inch
M = Metric

10b. OUTPUT SHAFT DIAMETER

Single / Double Extension Solid Shaft

	Std		Optional	
RHB 38	1.000"	1.375"	25mm	35mm
RHB 48	1.250"	1.625"	30mm	40mm
RHB 68	1.625"	2.000"	40mm	50mm
RHB 88	2.000"	2.750"	50mm	70mm
RHB 108	2.375"	3.1875"	60mm	80mm
RHB 128	2.875"	3.625"	70mm	90mm
RHB 148	3.625"	4.000"	90mm	100mm
RHB 168	4.375"	4.750"	110mm	120mm

Hollow Bore

	Std		Optional	
RHB 38	1.250"	--	30mm	--
RHB 48	1.375"	--	35mm	--
RHB 68	1.500"	1.4375"	40mm	45mm
RHB 88	2.000"	1.9375"	50mm	60mm
RHB 108	2.375"	2.4375"	60mm	70mm
RHB 128	2.750"	2.9375"	70mm	80mm
RHB 148	3.625"	3.4375"	80mm	90mm
RHB 168	4.000"	3.9375"	100mm	110mm

Shrink Disk

RHB 38	30mm	RHB 108	70mm
RHB 48	40mm	RHB 128	80mm
RHB 68	50mm	RHB 148	95mm
RHB 88	60mm	RHB 168	105mm

Tapered Hollow (See Pages RHB-350 - RHB-357)

(Continued on Next Page)

MOUNTING POSITIONS PAGE RHB-11	SELECTION REDUCER PAGE RHB-18	DIMENSIONS PAGE RHB-90	THERMAL RATINGS PAGE RHB-364
-----------------------------------	----------------------------------	---------------------------	---------------------------------

NOMENCLATURE



RIGHT ANGLE HELICAL BEVEL C-FACE REDUCERS (RHB)

Ex:

1	2	3	4	5	6	7	/	8	9	9a	10	10a	10b	11	11a	11b	12	13	13a	13b
B	F	38	3	L	N	56C	/	9.72	A1	A	H	I	1.250	-	-	-	K	-	-	-

11. OUTPUT FLANGE TYPE (BF Style Housing)

B5
B14 (STD)

11a. OUTPUT FLANGE DIAMETER

	B5 Flange	B14 Flange
RHB 38	160mm	120mm
RHB 48	200mm	132mm
RHB 68	250mm	150mm
RHB 88	300mm	190mm
RHB 108	350mm	245mm
RHB 128	450mm	295mm
RHB 148	450mm	335mm
RHB 168	550mm	400mm

11b. OUTPUT FLANGE POSITION

A B AB

12. TORQUE ARM OPTION (BF Style Housing)

K = Torque Arm Bracket
KR = Tie Rod Kit

13. SCREW CONVEYOR DRIVE

(RHB 38 - 128 - BF Style Housing)

SCS = Screw Conveyor with Drive Shaft
SCN = Screw Conveyor - No Drive Shaft

13a. SCREW CONVEYOR DRIVE SHAFT DIAMETER

RHB 38	1.500"		
RHB 48	1.500"	2.000"	
RHB 68	1.500"	2.000"	2.4375"
RHB 88	2.000"	2.4375"	3.000"
RHB 108	2.000"	2.4375"	3.000"
RHB 128	2.000"	2.4375"	3.000" 3.4375"

13b. SCREW CONVEYOR ADAPTER

S = Standard
XT = Harsh Duty

QUANTIS

QUANTIS GOLD

ILH

RHB

MSM

MOUNTING POSITIONS PAGE RHB-11	SELECTION REDUCER PAGE RHB-18	DIMENSIONS PAGE RHB-90	THERMAL RATINGS PAGE RHB-364
-----------------------------------	----------------------------------	---------------------------	---------------------------------

NOMENCLATURE



RIGHT ANGLE HELICAL BEVEL SEPARATE REDUCERS (RHB)

Ex:

1	2	3	4	5	6	7	/	8	9	9a	10	10a	10b	11	11a	11b	12	13	13a	13b
B	F	88	3	S	I	90	/	5.54	A4	-	T	I	1.9375	-	-	-	K	-	-	-

1. PRODUCT TYPE

B = RHB

2. OUTPUT CONFIGURATION

B = Foot Mounted
F = Flange / Shaft Mounted

3. UNIT SIZE

38 48 68 88
108 128 148 168

4. STAGE OF REDUCTION

3 = Triple Reduction

5. INPUT CONFIGURATION

S = Separate

6. INPUT SHAFT DIMENSION

I = Inch
M = Metric

7. SEPARATE GROUP

71 80 90 100 112
132 160 180 225 250

8. RATIO (Use Actual Ratios From Selection Pages)

RHB 38	5.65	-	179.13
RHB 48	7.22	-	169.53
RHB 68	5.36	-	243.72
RHB 88	5.54	-	302.38
RHB 108	7.68	-	307.24
RHB 128	7.10	-	295.38
RHB 148	4.83	-	306.08
RHB 168	6.61	-	287.95

9. MOUNTING POSITIONS (See page RHB-11)

A1	A2	A3
A4	A5	A6

9a. OUTPUT SHAFT POSITION

A B AB

10. OUTPUT SHAFT TYPE

S = Single Extension Solid Shaft
H = Straight Hollow Bore
T = Tapered Hollow Bore
D = Double Extension solid Shaft
C = Shrink Disk

10a. OUTPUT SHAFT DIMENSION

I = Inch
M = Metric

10b. OUTPUT SHAFT DIAMETER

Single / Double Extension Solid Shaft

	Std	Optional		
RHB 38	1.000"	1.375"	25mm	35mm
RHB 48	1.250"	1.625"	30mm	40mm
RHB 68	1.625"	2.000"	40mm	50mm
RHB 88	2.000"	2.750"	50mm	70mm
RHB 108	2.375"	3.1875"	60mm	80mm
RHB 128	2.875"	3.625"	70mm	90mm
RHB 148	3.625"	4.000"	90mm	100mm
RHB 168	4.375"	4.750"	110mm	120mm

Hollow Bore

	Std	Optional		
RHB 38	1.250"	--	30mm	--
RHB 48	1.375"	--	35mm	--
RHB 68	1.500"	1.4375"	40mm	45mm
RHB 88	2.000"	1.9375"	50mm	60mm
RHB 108	2.375"	2.4375"	60mm	70mm
RHB 128	2.750"	2.9375"	70mm	80mm
RHB 148	3.625"	3.4375"	80mm	90mm
RHB 168	4.000"	3.9375"	100mm	110mm

Shrink Disk

RHB 38	30mm	RHB 108	70mm
RHB 48	40mm	RHB 128	80mm
RHB 68	50mm	RHB 148	95mm
RHB 88	60mm	RHB 168	105mm

Tapered Hollow (See Pages RHB-350 - RHB-357)

(Continued on Next Page)

MOUNTING POSITIONS PAGE RHB-11	SELECTION REDUCER PAGE RHB-18	DIMENSIONS PAGE RHB-90	THERMAL RATINGS PAGE RHB-364
-----------------------------------	----------------------------------	---------------------------	---------------------------------

NOMENCLATURE



RIGHT ANGLE HELICAL BEVEL SEPARATE REDUCERS (RHB)

Ex:

1	2	3	4	5	6	7	/	8	9	9a	10	10a	10b	11	11a	11b	12	13	13a	13b
B	F	88	3	S	I	90	/	5.54	A4	-	T	I	1.9375	-	-	-	K	-	-	-

11. OUTPUT FLANGE TYPE (BF Style Housing)

B5
B14 (STD)

11a. OUTPUT FLANGE DIAMETER

	B5 Flange	B14 Flange
RHB 38	160mm	120mm
RHB 48	200mm	132mm
RHB 68	250mm	150mm
RHB 88	300mm	190mm
RHB 108	350mm	245mm
RHB 128	450mm	295mm
RHB 148	450mm	335mm
RHB 168	550mm	400mm

11b. OUTPUT FLANGE POSITION

A B AB

12. TORQUE ARM OPTION (BF Style Housing)

K = Torque Arm Bracket
KR = Tie Rod Kit

13. SCREW CONVEYOR DRIVE

(RHB 38 - 128 - BF Style Housing)

SCS = Screw Conveyor with Drive Shaft
SCN = Screw Conveyor - No Drive Shaft

13a. SCREW CONVEYOR DRIVE SHAFT DIAMETER

RHB 38	1.500"			
RHB 48	1.500"	2.000"		
RHB 68	1.500"	2.000"	2.4375"	
RHB 88	2.000"	2.4375"	3.000"	
RHB 108	2.000"	2.4375"	3.000"	
RHB 128	2.000"	2.4375"	3.000"	3.4375"

13b. SCREW CONVEYOR ADAPTER

S = Standard
XT = Harsh Duty

QUANTIS

QUANTIS GOLD

LH

RHB

MSM

MOUNTING POSITIONS PAGE RHB-11	SELECTION REDUCER PAGE RHB-18	DIMENSIONS PAGE RHB-90	THERMAL RATINGS PAGE RHB-364
-----------------------------------	----------------------------------	---------------------------	---------------------------------

NOMENCLATURE



RIGHT ANGLE HELICAL BEVEL INTEGRAL GEARMOTORS (RHB)

Ex:

1	2	3	4	5	6	7	-	8	9	9a	10	10a	10b	11	11a	11b	12	13	13a	13b	14
B	F	38	3	G	H	80F4	/	9.72	A1	A	S	I	1.000	B5	160MM	A	-	-	-	-	L8

1. PRODUCT TYPE

B = RHB

2. OUTPUT CONFIGURATION

B = Foot Mounted

F = Flange / Shaft Mounted

3. UNIT SIZE

38 48 68 88
108 128 148 168

4. STAGE OF REDUCTION

3 = Triple Reduction

5. INPUT CONFIGURATION

G = Integral Gearmotor

6. MOTOR TYPE

H = Horsepower

7. MOTOR FRAME

71C4	.25 Hp	90I4	2 Hp
71D4	.33 Hp	100J4	3 Hp
71E 4	.50 Hp	112L4	5 Hp
80F4	.75 Hp	132M4	7.5 Hp
80G4	1 Hp	132N4	10 Hp
90H4	1.5 Hp		

8. RATIO (Use Actual Ratios From Selection Pages)

RHB 38	5.65 - 179.13
RHB 48	7.22 - 169.53
RHB 68	5.36 - 243.72
RHB 88	5.54 - 302.68
RHB 108	7.68 - 307.24
RHB 128	7.10 - 295.38
RHB 148	4.83 - 306.08
RHB 168	6.61 - 287.95

9. MOUNTING POSITIONS (See page RHB-11)

A1	A2	A3
A4	A5	A6

9a. OUTPUT SHAFT POSITION

A B AB

10. OUTPUT SHAFT TYPE

S = Single Extension Solid Shaft

H = Straight Hollow Bore

T = Tapered Hollow Bore

D = Double Extension solid Shaft

C = Shrink Disk

10a. OUTPUT SHAFT DIMENSION

I = Inch

M = Metric

10b. OUTPUT SHAFT DIAMETER

Single / Double Extension Solid Shaft

	Std	Optional
RHB 38	1.000"	1.375" 25mm 35mm
RHB 48	1.250"	1.625" 30mm 40mm
RHB 68	1.625"	2.000" 40mm 50mm
RHB 88	2.000"	2.750" 50mm 70mm
RHB 108	2.375"	3.1875" 60mm 80mm
RHB 128	2.875"	3.625" 70mm 90mm
RHB 148	3.625"	4.000" 90mm 100mm
RHB 168	4.375"	4.750" 110mm 120mm

Hollow Bore

	Std	Optional
RHB 38	1.250"	-- 30mm --
RHB 48	1.375"	-- 35mm --
RHB 68	1.500"	1.4375" 40mm 45mm
RHB 88	2.000"	1.9375" 50mm 60mm
RHB 108	2.375"	2.4375" 60mm 70mm
RHB 128	2.750"	2.9375" 70mm 80mm
RHB 148	3.625"	3.4375" 80mm 90mm
RHB 168	4.000"	3.9375" 100mm 110mm

Shrink Disk

RHB 38	30mm	RHB 108	70mm
RHB 48	40mm	RHB 128	80mm
RHB 68	50mm	RHB 148	95mm
RHB 88	60mm	RHB 168	105mm

Tapered Hollow (See Pages RHB-350 - RHB-357)

(Continued on Next Page)

MOUNTING POSITIONS PAGE RHB-11	SELECTION GEARMOTOR PAGE RHB-63	DIMENSIONS PAGE RHB-96	THERMAL RATINGS PAGE RHB-364
-----------------------------------	------------------------------------	---------------------------	---------------------------------

NOMENCLATURE



RIGHT ANGLE HELICAL BEVEL INTEGRAL GEARMOTORS (RHB)

Ex:

1	2	3	4	5	6	7	-	8	9	9a	10	10a	10b	11	11a	11b	12	13	13a	13b	14
B	F	38	3	G	H	80F4	/	9.72	A1	A	S	I	1.000	B5	160MM	A	-	-	-	-	L8

11. OUTPUT FLANGE TYPE (BF Style Housing)

B5
B14 (STD)

13. SCREW CONVEYOR DRIVE (RHB 38 - 128 - BF Style Housing)

SCS = Screw Conveyor with Drive Shaft
SCN = Screw Conveyor - No Drive Shaft

11a. OUTPUT FLANGE DIAMETER (BF Style Housing)

	B5 Flange	B14 Flange
RHB 38	160mm	120mm
RHB 48	200mm	132mm
RHB 68	250mm	150mm
RHB 88	300mm	190mm
RHB 108	350mm	245mm
RHB 128	450mm	295mm
RHB 148	450mm	335mm
RHB 168	550mm	400mm

13a. SCREW CONVEYOR DRIVE SHAFT DIAMETER

RHB 38	1.500"		
RHB 48	1.500"	2.000"	
RHB 68	1.500"	2.000"	2.4375"
RHB 88	2.000"	2.4375"	3.000"
RHB 108	2.000"	2.4375"	3.000"
RHB 128	2.000"	2.4375"	3.000"
			3.4375"

11b. OUTPUT FLANGE POSITION

A B AB

13b. SCREW CONVEYOR ADAPTER

S = Standard
XT = Harsh Duty

12. TORQUE ARM OPTION (BF Style Housing)

K = Torque Arm Bracket
KR = Tie Rod Kit

14. BRAKE

L4	(3 ft / lb)	L32	(24 ft / lb)
L8	(6 ft / lb)	L60	(44 ft / lb)
L16	(12 ft / lb)	L80	(59 ft / lb)

MOUNTING POSITIONS PAGE RHB-11	SELECTION GEARMOTOR PAGE RHB-63	DIMENSIONS PAGE RHB-96	THERMAL RATINGS PAGE RHB-364
-----------------------------------	------------------------------------	---------------------------	---------------------------------

QUANTIS PART NUMBERS



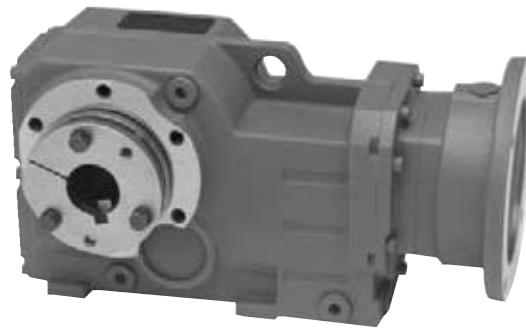
QUANTIS Part Number Nomenclature

RHB Example: B3C14S000565

B	3	C	14	S	00565
Housing Configuration	Size	Input Type	Frame	Output Type	Ratio
H = ILH Foot Mounted B = RHB Foot Mounted BF = RHB Flange Mounted M = MSM Universal Mounting	3 = 38 4 = 48 6 = 68 8 = 88 10 = 108 12 = 128 14 = 148 16 -168	C = Clamp Collar L = 3pc Coupled	56 = 56C 14 = 140TC 18 = 180TC 21 = 210TC 25 = 250TC 28 = 280TC	S= Solid Inch Shaft (RHB - A side) T = Tapered Hollow	000.00

RHB Reducer Specifications:

- Size 38 - 168
- NEMA Clamp Collar and 3 Pc Coupled Inputs
- Foot and Flange Mounted Housing Configurations
- Standard Inch Output Shafts (A-Side)
- Tapered Hollow Bores With Twin-Tapered Bushings
- Nitrile Input and Output Lip Seals
- A1 Mounting
- Mobilgear 600 XP 220



NOMENCLATURE PAGE RHB-5	SELECTION GEARMOTOR PAGE RHB-63	DIMENSIONS PAGE RHB-90	THERMAL RATINGS PAGE RHB-364
----------------------------	------------------------------------	---------------------------	---------------------------------

NOMENCLATURE



MOTORIZED SHAFT MOUNT C-FACE REDUCERS (MSM)

1	2	3	4	5	6	7	/	8	9	10	10a	10b	11	11a	12	13	13a	13b
Ex: M	W	48	2	C	N	140TC	/	7.95	A1	H	I	1.375	B5	200mm	-	-	-	-

1. PRODUCT TYPE

M = MSM

2. OUTPUT CONFIGURATION

W = Universal Mounting

3. UNIT SIZE

38 48 68 88
108 128 148 168

4. STAGE OF REDUCTION

2 = Double Reduction
3 = Triple Reduction

5. INPUT CONFIGURATION

C = Clamp Collar
L = 3 Pc Coupling

6. MOTOR TYPE

N = NEMA
I = IEC

7. MOTOR FRAME

NEMA
56C 140TC 180TC 210TC
250TC 280TC 320TC 360TC

IEC
71D 80D 90D 100D 112D 132D
160D 180D 200D 225D 250D

8. RATIO (Use Actual Ratio From Selection Pages)

MSM 38 9.80 - 179.14
MSM 48 7.95 - 169.53
MSM 68 6.65 - 243.72
MSM 88 8.85 - 302.68
MSM 108 9.52 - 307.24
MSM 128 6.86 - 295.38
MSM 148 7.54 - 306.08
MSM 168 7.71 - 287.95

9. MOUNTING POSITIONS (See page MSM-11, MSM-12, MSM-13)

A1 A2 A3
A4 A5 A6

10. OUTPUT SHAFT TYPE

S = Single Extension Solid Shaft
H = Straight Hollow Bore
T = Tapered Hollow Bore
C = Shrink Disk

10a. OUTPUT SHAFT DIMENSION

I = Inch
M = Metric

10b. OUTPUT SHAFT DIAMETER

Single Extension Solid Shaft

	Std		Optional	
MSM 38	1.000"	1.375"	25mm	35mm
MSM 48	1.250"	1.625"	30mm	40mm
MSM 68	1.625"	2.000"	40mm	50mm
MSM 88	2.000"	2.750"	50mm	70mm
MSM 108	2.375"	3.1875"	60mm	80mm
MSM 128	2.875"	3.625"	70mm	90mm
MSM 148	3.625"	4.000"	90mm	100mm
MSM 168	4.375"	4.750"	110mm	120mm

Straight Hollow Bore

	Std		Optional	
MSM 38	1.250"	--	30mm	--
MSM 48	1.375"	--	35mm	--
MSM 68	1.500"	1.4375"	40mm	45mm
MSM 88	2.000"	1.9375"	50mm	60mm
MSM 108	2.375"	2.4375"	60mm	70mm
MSM 128	2.750"	2.9375"	70mm	80mm
MSM 148	3.625"	3.4375"	80mm	90mm
MSM 168	4.000"	3.9375"	100mm	110mm

Shrink Disk

MSM 38	30mm	MSM 108	70mm
MSM 48	40mm	MSM 128	80mm
MSM 68	50mm	MSM 148	95mm
MSM 88	60mm	MSM 168	105mm

Tapered Hollow Bore (See Pages MSM-228 - MSM-235)

(Continued On Next Page)

MOUNTING POSITIONS PAGE MSM-10	SELECTION REDUCERS PAGE MSM-16	DIMENSIONS PAGE MSM-98	THERMAL RATINGS PAGE MSM-242
-----------------------------------	-----------------------------------	---------------------------	---------------------------------

NOMENCLATURE



MOTORIZED SHAFT MOUNT C-FACE REDUCERS (MSM) (con't)

1	2	3	4	5	6	7	/	8	9	10	10a	10b	11	11a	12	13	13a	13b
Ex: M	W	48	2	C	N	140TC	/	7.95	A1	H	I	1.375	B5	200mm	-	-	-	-

11. OUTPUT FLANGE TYPE

B5
B14 (STD)

11a. OUTPUT FLANGE DIAMETER

	B5 Flange	B14 Flange
MSM 38	160mm	120mm
MSM 48	200mm	132mm
MSM 68	250mm	150mm
MSM 88	300mm	190mm
MSM 108	350mm	245mm
MSM 128	450mm	295mm
MSM 148	450mm	335mm
MSM 168	550mm	400mm

12. TORQUE ARM

B = Rubber Bushing

13. SCREW CONVEYOR DRIVE (MSM 38 - 128 - MW Style Housing)

SCS = Screw Conveyor with Drive Shaft
SCN = Screw Conveyor - No Drive Shaft

13a. SCREW CONVEYOR DRIVE SHAFT DIAMETER

MSM 38	1.500"			
MSM 48	1.500"	2.000"		
MSM 68	1.500"	2.000"	2.4375"	
MSM 88	2.000"	2.4375"	3.000"	
MSM 108	2.000"	2.4375"	3.000"	
MSM 128	2.000"	2.4375"	3.000"	3.4375"

13b. SCREW CONVEYOR ADAPTER

S = Standard
XT = Harsh Duty

QUANTIS

QUANTIS GOLD

ILH

RHB

MSM

MOUNTING POSITIONS PAGE MSM-10	SELECTION REDUCERS PAGE MSM-16	DIMENSIONS PAGE MSM-98	THERMAL RATINGS PAGE MSM-242
-----------------------------------	-----------------------------------	---------------------------	---------------------------------

NOMENCLATURE



MOTORIZED SHAFT MOUNT SEPARATE REDUCERS (MSM)

(Ex:)	1	2	3	4	5	6	7	/	8	9	10	10a	10b	11	11a	12	13	13a	13b
	M	W	88	2	S	I	132	/	21.81	A1	S	M	50	B14	190	B	-	-	-

1. PRODUCT TYPE

M = MSM

2. OUTPUT CONFIGURATION

W = Universal Mounting

3. UNIT SIZE

38 48 68 88
108 128 148 168

4. STAGE OF REDUCTION

2 = Double Reduction
3 = Triple Reduction

5. INPUT CONFIGURATION

S = Separate

6. INPUT SHAFT DIMENSION

I = Inch
M = Metric

7. SEPARATE GROUP

71 80 90 100 112
132 160 180 225 250

8. RATIO (Use Actual Ratio From Selection Pages)

MSM 38	9.80	-	179.14
MSM 48	7.95	-	169.53
MSM 68	6.65	-	243.72
MSM 88	8.85	-	302.68
MSM 108	9.52	-	307.24
MSM 128	6.86	-	295.38
MSM 148	7.54	-	306.08
MSM 168	7.71	-	287.95

9. MOUNTING POSITIONS (See page MSM-11, MSM-12, M-13)

A1	A2	A3
A4	A5	A6

10. OUTPUT SHAFT TYPE

S = Single Extension Solid Shaft
H = Straight Hollow Bore
T = Tapered Hollow Bore
C = Shrink Disk

10a. OUTPUT SHAFT DIMENSION

I = Inch
M = Metric

10b. OUTPUT SHAFT DIAMETER

Single Extension Solid Shaft

	Std	Optional		
MSM 38	1.000"	1.375"	25mm	35mm
MSM 48	1.250"	1.625"	30mm	40mm
MSM 68	1.625"	2.000"	40mm	50mm
MSM 88	2.000"	2.750"	50mm	70mm
MSM 108	2.375"	3.1875"	60mm	80mm
MSM 128	2.875"	3.625"	70mm	90mm
MSM 148	3.625"	4.000"	90mm	100mm
MSM 168	4.375"	4.750"	110mm	120mm

10b. OUTPUT SHAFT DIAMETER

Straight Hollow Bore

	Std	Optional		
MSM 38	1.250"	--	30mm	--
MSM 48	1.375"	--	35mm	--
MSM 68	1.500"	1.4375"	40mm	45mm
MSM 88	2.000"	1.9375"	50mm	60mm
MSM 108	2.375"	2.4375"	60mm	70mm
MSM 128	2.750"	2.9375"	70mm	80mm
MSM 148	3.625"	3.4375"	80mm	90mm
MSM 168	4.000"	3.9375"	100mm	110mm

Shrink Disk

MSM 38	30mm	MSM 108	70mm
MSM 48	40mm	MSM 128	80mm
MSM 68	50mm	MSM 148	95mm
MSM 88	60mm	MSM 168	105mm

Tapered Hollow Bore (See Pages MSM-228 - MSM-235)

11. OUTPUT FLANGE TYPE

B5
B14 (STD)

(Continued On Next Page)

MOUNTING POSITIONS PAGE MSM-10	SELECTION REDUCERS PAGE MSM-16	DIMENSIONS PAGE MSM-98	THERMAL RATINGS PAGE MSM-242
-----------------------------------	-----------------------------------	---------------------------	---------------------------------

NOMENCLATURE



MOTORIZED SHAFT MOUNT SEPARATE REDUCERS (MSM) (con't)

	1	2	3	4	5	6	7	/	8	9	10	10a	10b	11	11a	12	13	13a	13b
(Ex:)	M	W	88	2	S	I	132	/	21.81	A1	S	M	50	B14	190	B	-	-	-

11a. OUTPUT FLANGE DIAMETER

	B5 Flange	B14 Flange
MSM 38	160mm	120mm
MSM 48	200mm	132mm
MSM 68	250mm	150mm
MSM 88	300mm	190mm
MSM 108	350mm	245mm
MSM 128	450mm	295mm
MSM 148	450mm	335mm
MSM 168	550mm	400mm

13a. SCREW CONVEYOR DRIVE SHAFT DIAMETER

MSM 38	1.500"			
MSM 48	1.500"	2.000"		
MSM 68	1.500"	2.000"	2.4375"	
MSM 88	2.000"	2.4375"	3.000"	
MSM 108	2.000"	2.4375"	3.000"	
MSM 128	2.000"	2.4375"	3.000"	3.4375"

13b. SCREW CONVEYOR ADAPTER

S = Standard
XT = Harsh Duty

12. TORQUE ARM

B = Rubber Bushing

13. SCREW CONVEYOR DRIVE (MSM 38 - 128 - MW Style Housing)

SCS = Screw Conveyor with Drive Shaft
SCN = Screw Conveyor - No Drive Shaft

QUANTIS

QUANTIS GOLD

ILH

RHB

MSM

MOUNTING POSITIONS PAGE MSM-10	SELECTION REDUCERS PAGE MSM-16	DIMENSIONS PAGE MSM-98	THERMAL RATINGS PAGE MSM-242
-----------------------------------	-----------------------------------	---------------------------	---------------------------------

NOMENCLATURE



MOTORIZED SHAFT MOUNT INTEGRAL GEARMOTORS (MSM)

(EX.)	1	2	3	4	5	6	7	/	8	9	10	10a	10b	11	11a	12	13	13a	13b	14
	M	W	68	3	G	H	100J4	/	113.59	A3	T	I	1.375	-	-	-	-	-	-	L16

1. PRODUCT TYPE

M = MSM

2. OUTPUT CONFIGURATION

W = Universal Mounting

3. UNIT SIZE

38 48 68 88
108 128 148 168

4. STAGE OF REDUCTION

2 = Double Reduction
3 = Triple Reduction

5. INPUT CONFIGURATION

G = Integral Gearmotor

6. MOTOR TYPE

H = Horsepower

7. MOTOR FRAME

71C4	.25 Hp	90I4	2 Hp
71D4	.33 Hp	100J4	3 Hp
71E 4	.50 Hp	112L4	5 Hp
80F4	.75 Hp	132M4	7.5 Hp
80G4	1 Hp	132N4	10 Hp
90H4	1.5 Hp		

8. RATIO (Use Actual Ratio From Selection Pages)

MSM 38	9.80 - 179.14
MSM 48	7.95 - 169.53
MSM 68	6.65 - 243.72
MSM 88	8.85 - 302.68
MSM 108	9.52 - 307.24
MSM 128	6.86 - 295.38
MSM 148	7.54 - 306.08
MSM 168	7.71 - 287.95

9. MOUNTING POSITION (See pages MSM-11, MSM-12, MSM-13)

A1	A2	A3
A4	A5	A6

10. OUTPUT SHAFT TYPE

S = Single Extension Solid Shaft
H = Straight Hollow Bore
T = Tapered Hollow Bore
C = Shrink Disk

10a. OUTPUT SHAFT DIMENSION

I = Inch
M = Metric

10b. OUTPUT SHAFT DIAMETER

Single Extension Solid Shaft

	Std		Optional	
MSM 38	1.000"	1.375"	25mm	35mm
MSM 48	1.250"	1.625"	30mm	40mm
MSM 68	1.625"	2.000"	40mm	50mm
MSM 88	2.000"	2.750"	50mm	70mm
MSM 108	2.375"	3.1875"	60mm	80mm
MSM 128	2.875"	3.625"	70mm	90mm
MSM 148	3.625"	4.000"	90mm	100mm
MSM 168	4.375"	4.750"	110mm	120mm

10b. OUTPUT SHAFT DIAMETER

Straight Hollow Bore

	Std		Optional	
MSM 38	1.250"	--	30mm	--
MSM 48	1.375"	--	35mm	--
MSM 68	1.500"	1.4375"	40mm	45mm
MSM 88	2.000"	1.9375"	50mm	60mm
MSM 108	2.375"	2.4375"	60mm	70mm
MSM 128	2.750"	2.9375"	70mm	80mm
MSM 148	3.625"	3.4375"	80mm	90mm
MSM 168	4.000"	3.9375"	100mm	110mm

Shrink Disk

MSM 38	30mm	MSM 108	70mm
MSM 48	40mm	MSM 128	80mm
MSM 68	50mm	MSM 148	95mm
MSM 88	60mm	MSM 168	105mm

Tapered Hollow Bore (See Pages MSM-228 - MSM-235)

11. OUTPUT FLANGE TYPE

B5
B14 (STD)

(Continued On Next Page)

MOUNTING POSITIONS PAGE MSM-10	SELECTION GEARMOTOR PAGE MSM-62	DIMENSIONS PAGE MSM-104	THERMAL RATINGS PAGE MSM-242
-----------------------------------	------------------------------------	----------------------------	---------------------------------

NOMENCLATURE



MOTORIZED SHAFT MOUNT INTEGRAL GEARMOTORS (MSM) (con't)

	1	2	3	4	5	6	7	/	8	9	10	10a	10b	11	11a	12	13	13a	13b	14
(EX.)	M	W	68	3	G	H	100J4	/	113.59	A3	T	I	1.375	-	-	-	-	-	-	L16

11a. OUTPUT FLANGE DIAMETER

	B5 Flange	B14 Flange
MSM 38	160mm	120mm
MSM 48	200mm	132mm
MSM 68	250mm	150mm
MSM 88	300mm	190mm
MSM 108	350mm	245mm
MSM 128	450mm	295mm
MSM 148	450mm	335mm
MSM 168	550mm	400mm

12. TORQUE ARM

B = Rubber Bushing

13. SCREW CONVEYOR DRIVE (MSM 38 - 128 MW STYLE HOUSING)

SCS = Screw Conveyor with Drive Shaft
SCN = Screw Conveyor - No Drive Shaft

13a. SCREW CONVEYOR DRIVE SHAFT DIAMETER

MSM 38	1.500"			
MSM 48	1.500"	2.000"		
MSM 68	1.500"	2.000"	2.4375"	
MSM 88	2.000"	2.4375"	3.000"	
MSM 108	2.000"	2.4375"	3.000"	
MSM 128	2.000"	2.4375"	3.000"	3.4375"

13b. SCREW CONVEYOR ADAPTER

S = Standard
XT = Harsh Duty

14. BRAKE

L4	(3 ft / lb)	L32	(24 ft / lb)
L8	(6 ft / lb)	L60	(44 ft / lb)
L16	(12 ft / lb)	L80	(59 ft / lb)

QUANTIS

QUANTIS GOLD

ILH

RHB

MSM

MOUNTING POSITIONS PAGE MSM-10	SELECTION GEARMOTOR PAGE MSM-62	DIMENSIONS PAGE MSM-104	THERMAL RATINGS PAGE MSM-242
-----------------------------------	------------------------------------	----------------------------	---------------------------------

QUANTIS PART NUMBERS



QUANTIS Part Number Nomenclature

MSM Example: M10C21T01108

M	10	C	21	T	01108
Housing Configuration	Size	Input Type	Frame	Output Type	Ratio
H = ILH Foot Mounted B = RHB Foot Mounted BF = RHB Flange Mounted M = MSM Universal Mounting	3 = 38 4 = 48 6 = 68 8 = 88 10 = 108 12 = 128 14 = 148 16 = 168	C = Clamp Collar	56 = 56C 14 = 140TC 18 = 180TC 21 = 210TC 25 = 250TC 28 = 280TC	S = Solid Inch Shaft (RHB - A side) T = Tapered Hollow	000.00

MSM Reducer Specifications:

- Sizes 108 - 168
- NEMA Clamp Collar Design
- Universal Housing Configuration
- Standard Inch Output Shafts
- Nitrile Input and Output Shafts
- A1 Mounting
- Mobilgear 600 XP 220



QUANTIS

QUANTIS GOLD

ILH

RHB

MSM

NOMENCLATURE PAGE MSM-4	SELECTION GEARMOTOR PAGE MSM-62	DIMENSIONS PAGE MSM-98	THERMAL RATINGS PAGE MSM-242
----------------------------	------------------------------------	---------------------------	---------------------------------