



**SNR Stainless Steel
Ball Bearing Units**



General

More than 35 years of experience

SNR has been a leading manufacturer of housed bearings for more than 35 years and thus has a large pool of experience in a very diverse range of applications in many industrial areas.

In this catalogue you will find the SNR standard range for stainless steel ball bearing units.

Housings and bearing inserts for these units are manufactured from stainless steel. The bearing inserts are grooved ball bearings with spherical outer rings that can compensate for alignment errors and deformation of the shafts to a certain extent. Fastening to the shaft is by means of set-screws or eccentric locking collar.

The bearings are equipped with a high-performance seal and filled with grease suitable for use in the food industry (USDA H1 standard).

SNR stainless steel ball bearing units are primarily intended for use in areas where moisture or aggressive media seriously degrade the service life of conventional ball bearing units made of cast iron and bearing inserts made of chrome steel, and thus render them uneconomical.

SNR stainless steel ball bearing units are, e.g., particularly suitable for machines and plant in the food, pharmaceutical, and chemical industries. However they also represent an ideal solution where frequent cleaning with water or chemical agents is necessary or the bearings are used outdoors.

Contents

General

- > Applications/part number designations
- > Technical specifications - materials
- > Technical data

2>7

2

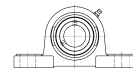
3

4-7

Dimension tables

- > Pillow blocks units

SUCP200/SESP200



8-9

- > Tapped base pillow block units

SUCPA200/SESPA200



10-11

- > Four-bolt flanged units

SUCF200/SESF200



12-13

- > Two-bolt flanged units

SUCFL200/SESFL200



14-15

- > Take-up units

SUCT200/SEST200



16-19

- > Bearing inserts
with set screws

SUC200



20

- > Bearing inserts with
eccentric locking collar

SES200



21

Range

- > SNR ball bearing units range

22

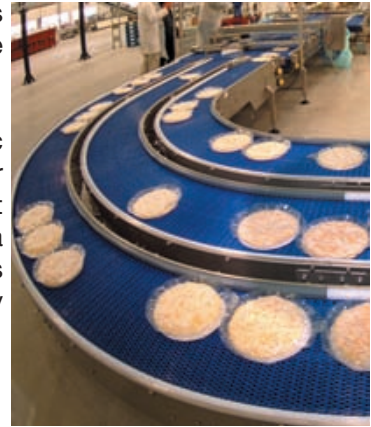


Applications



Ball bearing units made of stainless steel are used in areas where corrosion resistance is a must.

In these areas where high atmospheric humidity or the requirement for periodic washdown of the equipment is necessary to prevent bacteria growth, conventional ball bearing units made of cast iron cannot adequately perform.



To address these special applications, SNR offers a comprehensive standard range of ball bearing units made of stainless steel.

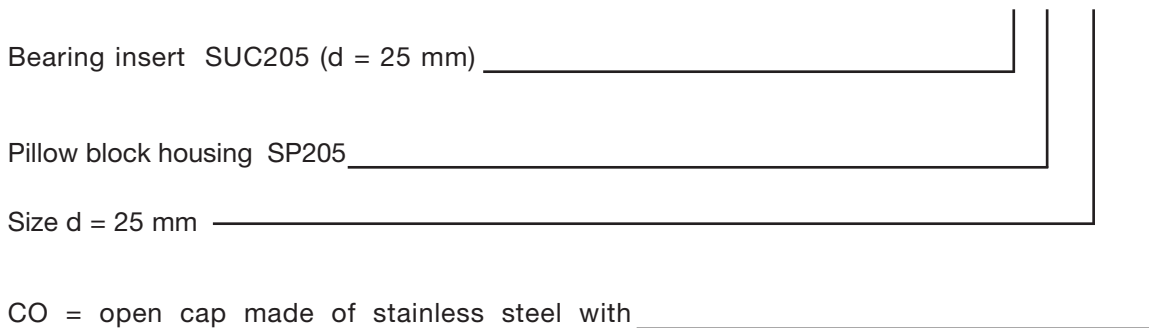
Furthermore, to satisfy the requirements of the pharmaceutical and food industries all SNR ball bearing units made of stainless steel are filled with grease meeting the USDA H1 food-grade specification.



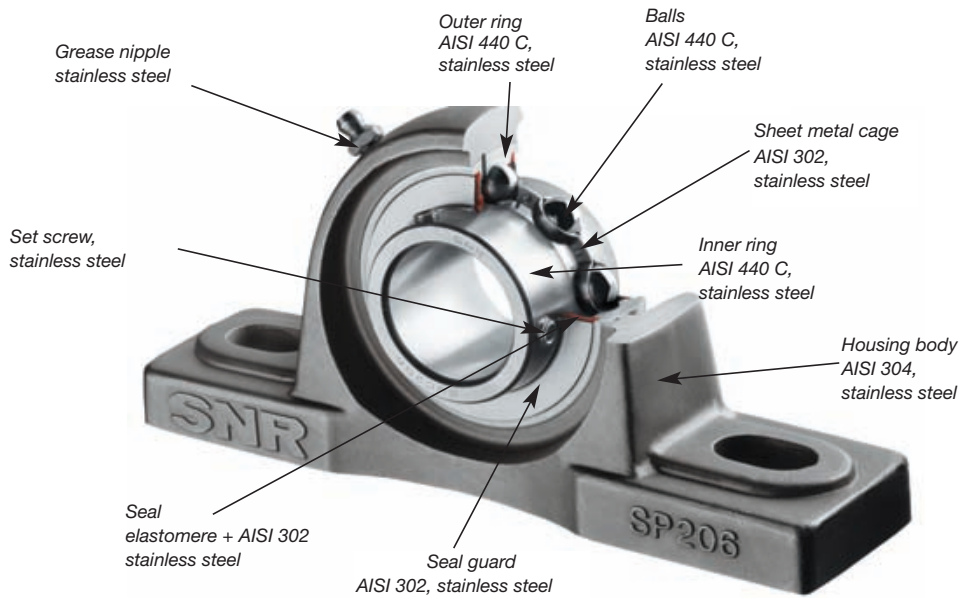
I Part number designation

Example:

SUCP205CO



Technical specification - materials



Protective end caps made of stainless steel, SCC and SCO models

- Open protective end cap for through shafts with double-lip seal made of flourine elastomere
- Closed protective end cap for shaft ends
- Stainless steel AISI 304
- Shaft diameter 12 - 60 mm / $\frac{3}{4}$ - $2 \frac{7}{16}$ inch
- Standard sizes available from stock

Lubricant for food industry applications

• Technical characteristics

Mobil FM 102 with USDA-H1 approval

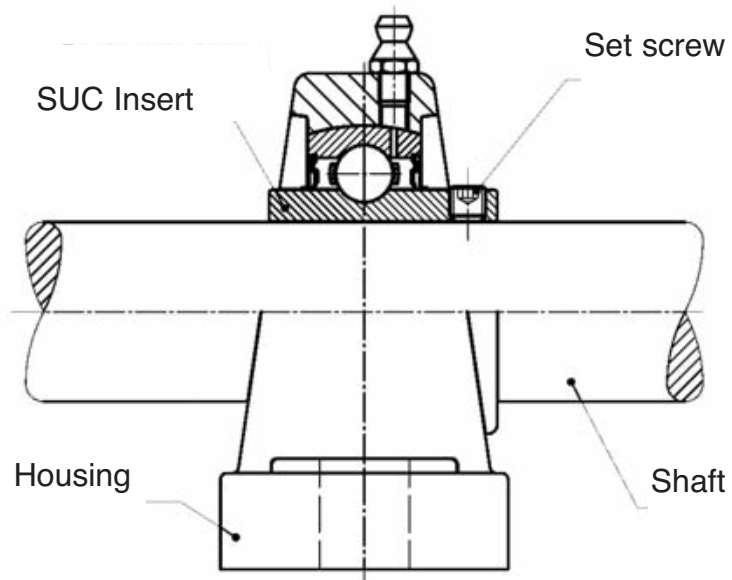
| | |
|---------------------|--|
| Temperature range: | -20°C to + 120°C (-4°F to +248°F) |
| Drop point: | 216°C |
| Worked penetration: | 265-295 (at 25°C; 1/10 mm) NLGI class 2 |



Technical data

Tightening torques for set screws in bearing inserts

| Insert | Set screw max. | tightening torque [Nm] |
|--------------|----------------|------------------------|
| SUC 201 -206 | M6 x 1 | 8,5 |
| SUC 207 -208 | M8 x 1 | 20 |
| SUC 209 -212 | M10 x 1,25 | 40 |



| Speed limits for bearing inserts

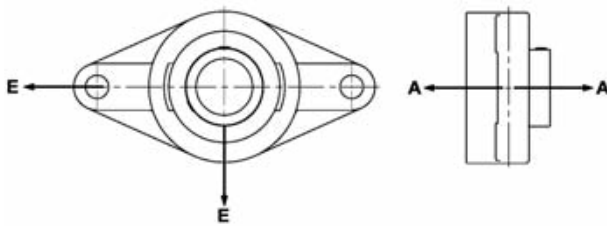
| Bearing | Shaft code diameter [mm] d | Speed limit [rpm] for shaft tolerance | | | |
|---------|-------------------------------|---------------------------------------|------|------|------|
| | | j7 | h7 | h8 | h9 |
| SUC 201 | 12 | 6000 | 4800 | 3400 | 1200 |
| SUC 202 | 15 | 6000 | 4800 | 3400 | 1200 |
| SUC 203 | 17 | 6000 | 4800 | 3400 | 1200 |
| SUC 204 | 20 | 6000 | 4800 | 3400 | 1200 |
| SUC 205 | 25 | 5600 | 4000 | 3000 | 1000 |
| SUC 206 | 30 | 4500 | 3400 | 2400 | 850 |
| SUC 207 | 35 | 4000 | 3000 | 2000 | 750 |
| SUC 208 | 40 | 3600 | 2600 | 1900 | 670 |
| SUC 209 | 45 | 3200 | 2400 | 1700 | 600 |
| SUC 210 | 50 | 3000 | 2200 | 1600 | 560 |
| SUC 211 | 55 | 2400 | 1800 | 1300 | 450 |
| SUC 212 | 60 | 1900 | 1600 | 1000 | 400 |

| Bearing | Shaft code diameter [mm] d | Speed limit [rpm] for shaft tolerance | | | |
|---------|-------------------------------|---------------------------------------|------|------|------|
| | | j7 | h7 | h8 | h9 |
| SES 201 | 12 | 6700 | 5300 | 3800 | 1400 |
| SES 202 | 15 | 6700 | 5300 | 3800 | 1400 |
| SES 203 | 17 | 6700 | 5300 | 3800 | 1400 |
| SES 204 | 20 | 6000 | 4800 | 3400 | 1200 |
| SES 205 | 25 | 5600 | 4000 | 3000 | 1000 |
| SES 206 | 30 | 4500 | 3400 | 2400 | 850 |
| SES 207 | 35 | 4000 | 3000 | 2000 | 750 |
| SES 208 | 40 | 3600 | 2600 | 1900 | 670 |
| SES 209 | 45 | 3200 | 2400 | 1700 | 600 |
| SES 210 | 50 | 3000 | 2200 | 1600 | 560 |
| SES 211 | 55 | 2400 | 1800 | 1300 | 450 |
| SES 212 | 60 | 1900 | 1600 | 1000 | 400 |

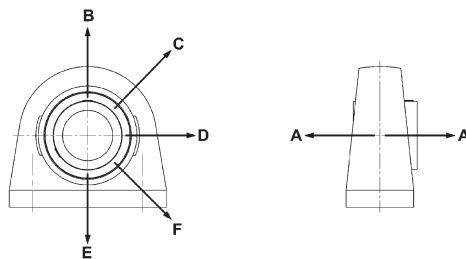
Technical data



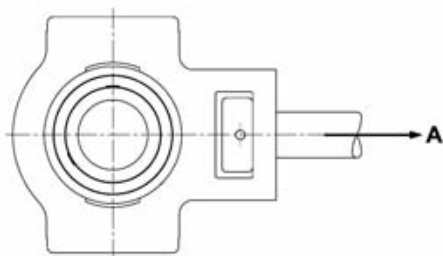
Housing load carrying capacity



| Housing code | Stat. load carrying capacity[kN] | | | | | |
|--------------|----------------------------------|---|---|---|-----|---|
| | Load direction | | | | | |
| | A | B | C | D | E | F |
| SFL203 | 20 | - | - | - | 40 | - |
| SFL204 | 24 | - | - | - | 48 | - |
| SFL205 | 32 | - | - | - | 76 | - |
| SFL206 | 40 | - | - | - | 76 | - |
| SFL207 | 46 | - | - | - | 80 | - |
| SFL208 | 54 | - | - | - | 82 | - |
| SFL209 | 64 | - | - | - | 120 | - |
| SFL210 | 78 | - | - | - | 124 | - |

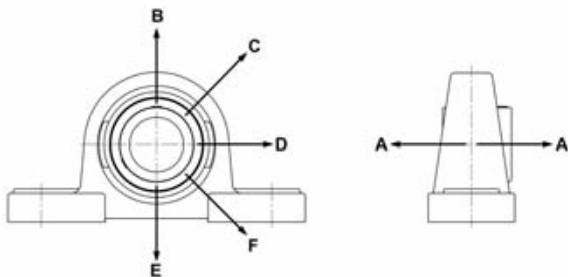


| Housing code | Stat. load carrying capacity[kN] | | | | | |
|--------------|----------------------------------|-----|-----|-----|-----|-----|
| | Load direction | | | | | |
| | A | B | C | D | E | F |
| SPA203 | 19 | 50 | 40 | 90 | 120 | 120 |
| SPA204 | 34 | 66 | 50 | 110 | 160 | 160 |
| SPA205 | 36 | 74 | 56 | 120 | 180 | 180 |
| SPA206 | 44 | 100 | 70 | 180 | 240 | 240 |
| SPA207 | 48 | 120 | 88 | 200 | 320 | 320 |
| SPA208 | 50 | 130 | 90 | 220 | 360 | 360 |
| SPA209 | 52 | 140 | 98 | 240 | 380 | 380 |
| SPA210 | 64 | 150 | 110 | 280 | 380 | 380 |

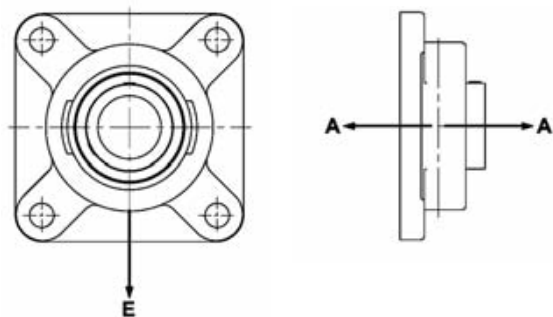


| Housing code | Stat. load carrying capacity [kN] | | | | | |
|--------------|-----------------------------------|---|---|---|---|---|
| | Load direction | | | | | |
| | A | B | C | D | E | F |
| ST203 | 50 | - | - | - | - | - |
| ST204 | 66 | - | - | - | - | - |
| ST205 | 74 | - | - | - | - | - |
| ST206 | 100 | - | - | - | - | - |
| ST207 | 120 | - | - | - | - | - |
| ST208 | 130 | - | - | - | - | - |
| ST209 | 140 | - | - | - | - | - |
| ST210 | 150 | - | - | - | - | - |

Housing load carrying capacity



| Housing code | Stat. load carrying capacity [kN] | | | | | |
|--------------|-----------------------------------|-----|-----|-----|-----|-----|
| | Load direction | | | | | |
| | A | B | C | D | E | F |
| SP203 | 19 | 50 | 40 | 90 | 120 | 120 |
| SP204 | 34 | 66 | 50 | 110 | 160 | 160 |
| SP205 | 36 | 74 | 56 | 120 | 180 | 180 |
| SP206 | 44 | 100 | 70 | 180 | 240 | 240 |
| SP207 | 48 | 120 | 88 | 200 | 320 | 320 |
| SP208 | 50 | 130 | 90 | 220 | 360 | 360 |
| SP209 | 52 | 140 | 98 | 240 | 380 | 380 |
| SP210 | 64 | 150 | 110 | 280 | 380 | 380 |
| SP211 | 80 | 191 | 262 | 350 | 475 | 475 |
| SP212 | 99 | 236 | 324 | 433 | 587 | 587 |

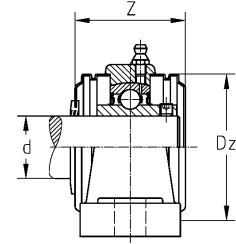
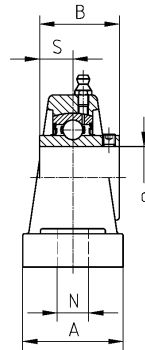
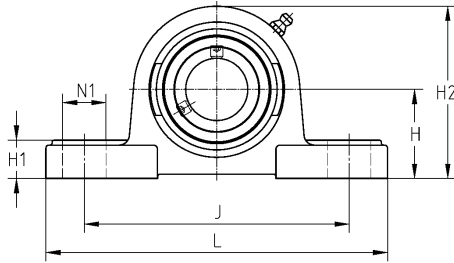


| Housing code | Stat. load carrying capacity [kN] | | | | | |
|--------------|-----------------------------------|---|---|---|-----|---|
| | Load direction | | | | | |
| | A | B | C | D | E | F |
| SF203 | 30 | - | - | - | 70 | - |
| SF204 | 36 | - | - | - | 86 | - |
| SF205 | 50 | - | - | - | 130 | - |
| SF206 | 60 | - | - | - | 130 | - |
| SF207 | 70 | - | - | - | 130 | - |
| SF208 | 78 | - | - | - | 140 | - |
| SF209 | 90 | - | - | - | 200 | - |
| SF210 | 100 | - | - | - | 200 | - |
| SF211 | 125 | - | - | - | 255 | - |
| SF212 | 155 | - | - | - | 315 | - |

Pillow block units

Housing
Bearing insert

SP200 with grease fitting
SUC 200 with set screws



open
SCO

closed
SCC

SUCP200

with protective cap

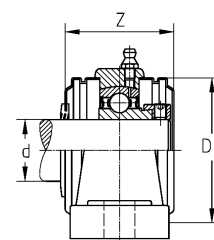
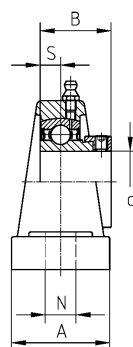
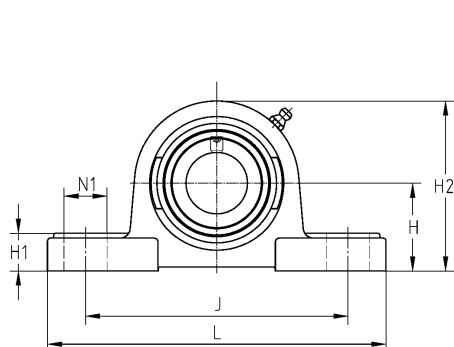
Shaft diameter

| metric | inch |
|------------|--------------|
| 12 - 60 mm | 3/4 - 2 7/16 |

| Shaft diameter | | Unit code | Dimensions [mm] | | | | | | | | | | | | Insert | Housing | Kg |
|----------------|----------|------------|-----------------|-----|------|------|----|-----|------|----|----|----|-------------------|-----|-----------|---------|------|
| d [mm] | d [inch] | | L | J | B | H | H1 | H2 | S | A | N | N1 | Z _{max.} | Dz | | | |
| 12 | | SUCP201 | 126 | 95 | 31 | 33,3 | 15 | 65 | 12,7 | 38 | 13 | 19 | 45,6 | 54 | SUC201 | SP204 | 0,83 |
| 15 | | SUCP202 | 126 | 95 | 31 | 33,3 | 15 | 65 | 12,7 | 38 | 13 | 19 | 45,6 | 54 | SUC202 | SP204 | 0,80 |
| 17 | | SUCP203 | 126 | 95 | 31 | 33,3 | 15 | 65 | 12,7 | 38 | 13 | 19 | 45,6 | 54 | SUC203 | SP204 | 0,84 |
| 20 | | SUCP204 | 126 | 95 | 31 | 33,3 | 15 | 65 | 12,7 | 38 | 13 | 19 | 45,6 | 54 | SUC204 | SP204 | 0,82 |
| | 3/4 | SUCP204-12 | 126 | 95 | 31 | 33,3 | 15 | 65 | 12,7 | 38 | 13 | 19 | 45,6 | 54 | SUC204-12 | SP204 | 0,82 |
| 25 | | SUCP205 | 140 | 105 | 34,1 | 36,5 | 16 | 70 | 14,3 | 38 | 13 | 19 | 47,8 | 60 | SUC205 | SP205 | 0,95 |
| | 1 | SUCP205-16 | 140 | 105 | 34,1 | 36,5 | 16 | 70 | 14,3 | 38 | 13 | 19 | 47,8 | 60 | SUC205-16 | SP205 | 0,95 |
| 30 | | SUCP206 | 165 | 121 | 38,1 | 42,9 | 18 | 83 | 15,9 | 48 | 17 | 21 | 52,8 | 70 | SUC206 | SP206 | 1,58 |
| | 1 3/16 | SUCP206-19 | 165 | 121 | 38,1 | 42,9 | 18 | 83 | 15,9 | 48 | 17 | 21 | 52,8 | 70 | SUC206-19 | SP206 | 1,58 |
| | 1 1/4 | SUCP206-20 | 165 | 121 | 38,1 | 42,9 | 18 | 83 | 15,9 | 48 | 17 | 21 | 52,8 | 70 | SUC206-20 | SP206 | 1,58 |
| 35 | | SUCP207 | 167 | 127 | 42,9 | 47,6 | 19 | 94 | 17,5 | 48 | 17 | 21 | 57,4 | 80 | SUC207 | SP207 | 1,95 |
| | 1 3/8 | SUCP207-22 | 167 | 127 | 42,9 | 47,6 | 19 | 94 | 17,5 | 48 | 17 | 21 | 57,4 | 80 | SUC207-22 | SP207 | 1,95 |
| | 1 7/16 | SUCP207-23 | 167 | 127 | 42,9 | 47,6 | 19 | 94 | 17,5 | 48 | 17 | 21 | 57,4 | 80 | SUC207-23 | SP207 | 1,95 |
| 40 | | SUCP208 | 184 | 136 | 49,2 | 49,2 | 19 | 100 | 19 | 54 | 17 | 23 | 66,8 | 88 | SUC208 | SP208 | 2,39 |
| | 1 1/2 | SUCP208-24 | 184 | 136 | 49,2 | 49,2 | 19 | 100 | 19 | 54 | 17 | 23 | 66,8 | 88 | SUC208-24 | SP208 | 2,39 |
| 45 | | SUCP209 | 190 | 146 | 49,2 | 54 | 20 | 109 | 19 | 54 | 17 | 23 | 67,8 | 95 | SUC209 | SP209 | 2,72 |
| | 1 3/4 | SUCP209-28 | 190 | 146 | 49,2 | 54 | 20 | 109 | 19 | 54 | 17 | 23 | 67,8 | 95 | SUC209-28 | SP209 | 2,72 |
| 50 | | SUCP210 | 206 | 159 | 51,6 | 57,2 | 22 | 114 | 19 | 60 | 20 | 25 | 75,6 | 100 | SUC210 | SP210 | 3,28 |
| | 1 15/16 | SUCP210-31 | 206 | 159 | 51,6 | 57,2 | 22 | 114 | 19 | 60 | 20 | 25 | 75,6 | 100 | SUC210-31 | SP210 | 3,28 |
| | 2 | SUCP211-32 | 219 | 171 | 55,6 | 63,5 | 23 | 126 | 22,2 | 60 | 20 | 25 | 75,2 | 110 | SUC211-32 | SP211 | 4,12 |
| 55 | | SUCP211 | 219 | 171 | 55,6 | 63,5 | 23 | 126 | 22,2 | 60 | 20 | 25 | 75,2 | 110 | SUC211 | SP211 | 4,12 |
| | 2 3/16 | SUCP211-35 | 219 | 171 | 55,6 | 63,5 | 23 | 126 | 22,2 | 60 | 20 | 25 | 75,2 | 110 | SUC211-35 | SP211 | 4,12 |
| 60 | | SUCP212 | 241 | 184 | 65,1 | 69,8 | 25 | 138 | 25,4 | 70 | 20 | 25 | 87,8 | 120 | SUC212 | SP212 | 5,71 |
| | 2 7/16 | SUCP212-39 | 241 | 184 | 65,1 | 69,8 | 25 | 138 | 25,4 | 70 | 20 | 25 | 87,8 | 120 | SUC212-39 | SP212 | 5,71 |

Housing
 Bearing insert

SP200 with grease fitting
 SES 200 with eccentric locking collar



open SCO
 closed SCC

SESP200

with protective cap

Shaft diameter

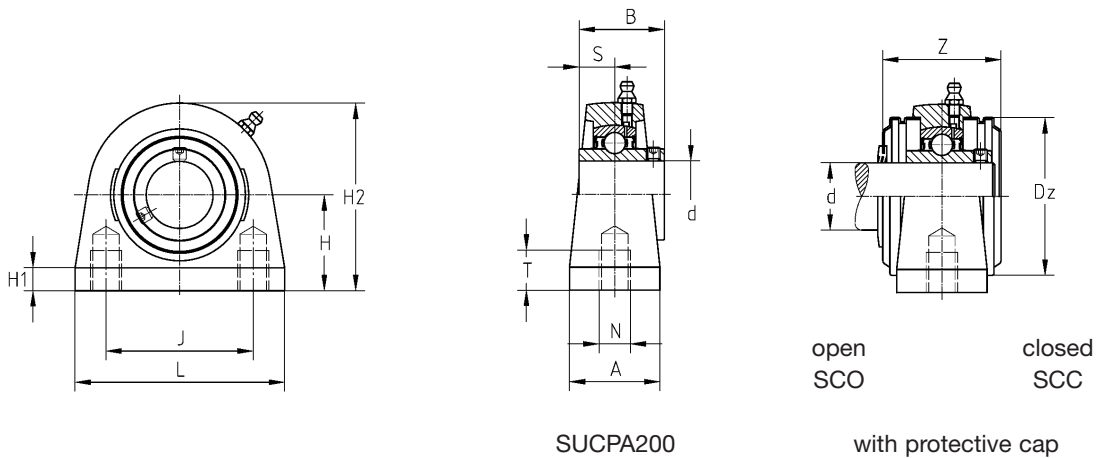
| metric | inch |
|------------|---------|
| 12 - 60 mm | 3/4 - 2 |

| Shaft diameter | | Unit code | Dimensions [mm] | | | | | | | | | | | | Insert | Housing | Kg |
|----------------|----------|------------|-----------------|-----|------|------|----|-----|------|----|----|----|-------------------|-----|-----------|---------|------|
| d [mm] | d [inch] | | L | J | B | H | H1 | H2 | S | A | N | N1 | Z _{max.} | Dz | | | |
| 12 | | SESP201 | 126 | 95 | 28,6 | 30,2 | 15 | 63 | 6 | 38 | 13 | 19 | 45,6 | 46 | SES201 | SP203 | 0,80 |
| 15 | | SESP202 | 126 | 95 | 28,6 | 30,2 | 15 | 63 | 6 | 38 | 13 | 19 | 45,6 | 46 | SES202 | SP203 | 0,79 |
| 17 | | SESP203 | 126 | 95 | 28,6 | 30,2 | 15 | 63 | 6 | 38 | 13 | 19 | 45,6 | 46 | SES203 | SP203 | 0,77 |
| 20 | | SESP204 | 126 | 95 | 31 | 33,3 | 15 | 65 | 7 | 38 | 13 | 19 | 45,6 | 54 | SES204 | SP204 | 0,83 |
| | 3/4 | SESP204-12 | 126 | 95 | 31 | 33,3 | 15 | 65 | 7 | 38 | 13 | 19 | 45,6 | 54 | SES204-12 | SP204 | 0,83 |
| 25 | | SESP205 | 140 | 105 | 31 | 36,5 | 16 | 70 | 7,5 | 38 | 13 | 19 | 47,8 | 60 | SES205 | SP205 | 0,94 |
| | 1 | SESP205-16 | 140 | 105 | 31 | 36,5 | 16 | 70 | 7,5 | 38 | 13 | 19 | 47,8 | 60 | SES205-16 | SP205 | 0,94 |
| 30 | | SESP206 | 165 | 121 | 35,7 | 42,9 | 18 | 83 | 8 | 48 | 17 | 21 | 52,8 | 70 | SES206 | SP206 | 1,57 |
| | 1 3/16 | SESP206-19 | 165 | 121 | 35,7 | 42,9 | 18 | 83 | 8 | 48 | 17 | 21 | 52,8 | 70 | SES206-19 | SP206 | 1,57 |
| | 1 1/4 | SESP206-20 | 165 | 121 | 35,7 | 42,9 | 18 | 83 | 8 | 48 | 17 | 21 | 52,8 | 70 | SES206-20 | SP206 | 1,57 |
| 35 | | SESP207 | 167 | 127 | 38,9 | 47,6 | 19 | 94 | 8,5 | 48 | 17 | 21 | 57,4 | 80 | SES207 | SP207 | 1,98 |
| | 1 3/8 | SESP207-22 | 167 | 127 | 38,9 | 47,6 | 19 | 94 | 8,5 | 48 | 17 | 21 | 57,4 | 80 | SES207-22 | SP207 | 1,98 |
| | 1 7/16 | SESP207-23 | 167 | 127 | 38,9 | 47,6 | 19 | 94 | 8,5 | 48 | 17 | 21 | 57,4 | 80 | SES207-23 | SP207 | 1,98 |
| 40 | | SESP208 | 184 | 136 | 43,7 | 49,2 | 19 | 100 | 9 | 54 | 17 | 23 | 66,8 | 88 | SES208 | SP208 | 2,40 |
| | 1 1/2 | SESP208-24 | 184 | 136 | 43,7 | 49,2 | 19 | 100 | 9 | 54 | 17 | 23 | 66,8 | 88 | SES208-24 | SP208 | 2,40 |
| 45 | | SESP209 | 190 | 146 | 43,7 | 54 | 20 | 109 | 9,5 | 54 | 17 | 23 | 67,8 | 95 | SES209 | SP209 | 2,69 |
| | 1 3/4 | SESP209-28 | 190 | 146 | 43,7 | 54 | 20 | 109 | 9,5 | 54 | 17 | 23 | 67,8 | 95 | SES209-28 | SP209 | 2,69 |
| 50 | | SESP210 | 206 | 159 | 43,7 | 57,2 | 22 | 114 | 10 | 60 | 20 | 25 | 75,6 | 100 | SES210 | SP210 | 3,26 |
| | 1 15/16 | SESP210-31 | 206 | 159 | 43,7 | 57,2 | 22 | 114 | 10 | 60 | 20 | 25 | 75,6 | 100 | SES210-31 | SP210 | 3,26 |
| | 2 | SESP211-32 | 219 | 171 | 48,4 | 63,5 | 23 | 126 | 10,5 | 60 | 20 | 25 | 75,2 | 110 | SES211-32 | SP211 | 4,08 |
| 55 | | SESP211 | 219 | 171 | 48,4 | 63,5 | 23 | 126 | 10,5 | 60 | 20 | 25 | 75,2 | 110 | SES211 | SP211 | 4,08 |
| 60 | | SESP212 | 241 | 184 | 53,1 | 69,8 | 25 | 138 | 11 | 70 | 20 | 25 | 87,8 | 120 | SES212 | SP212 | 5,58 |

Tapped base pillow block units

Housing
Bearing insert

SPA 200 with grease fitting
SUC 200 with set screws



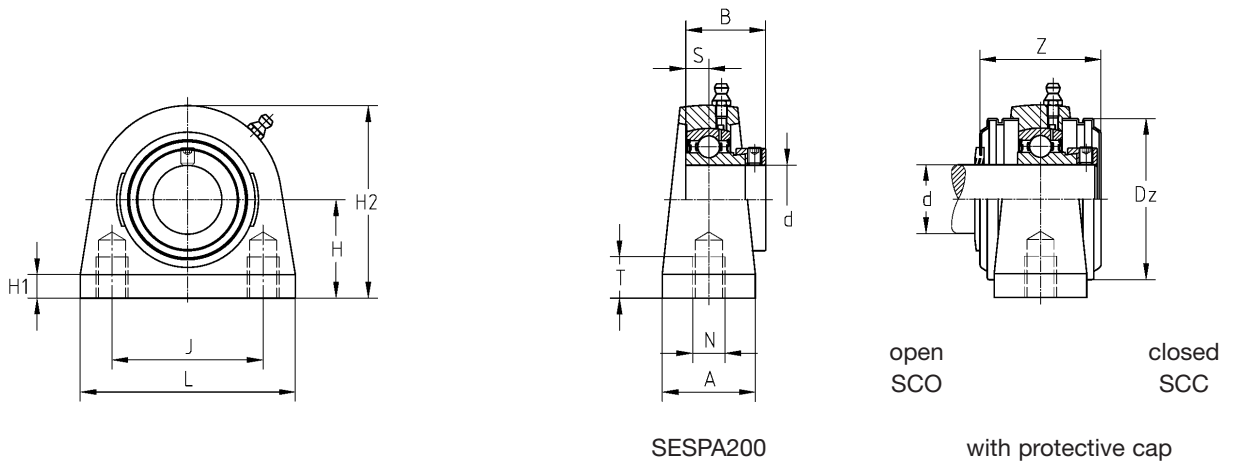
Shaft diameter

| metric | inch |
|------------|---------------|
| 12 - 50 mm | 3/4 - 1 15/16 |

| Shaft diameter | | Unit code | Dimensions [mm] | | | | | | | | | | | | | Insert | Housing | Kg |
|----------------|----------|-------------|-----------------|-------|------|------|----|-----|------|----|-----|----|------------------|-----|-----------|--------|---------|----|
| d [mm] | d [inch] | | L | J | B | H | H1 | H2 | S | A | N | T | Z _{max} | Dz | | | | |
| 12 | | SUCPA201 | 73 | 50,8 | 31 | 33,3 | 11 | 65 | 12,7 | 38 | M8 | 13 | 45,6 | 54 | SUC201 | SPA204 | 0,73 | |
| 15 | | SUCPA202 | 73 | 50,8 | 31 | 33,3 | 11 | 65 | 12,7 | 38 | M8 | 13 | 45,6 | 54 | SUC202 | SPA204 | 0,71 | |
| 17 | | SUCPA203 | 73 | 50,8 | 31 | 33,3 | 11 | 65 | 12,7 | 38 | M8 | 13 | 45,6 | 54 | SUC203 | SPA204 | 0,70 | |
| 20 | | SUCPA204 | 73 | 50,8 | 31 | 33,3 | 11 | 65 | 12,7 | 38 | M8 | 13 | 45,6 | 54 | SUC204 | SPA204 | 0,68 | |
| | 3/4 | SUCPA204-12 | 73 | 50,8 | 31 | 33,3 | 11 | 65 | 12,7 | 38 | M8 | 13 | 45,6 | 54 | SUC204-12 | SPA204 | 0,68 | |
| 25 | | SUCPA205 | 76 | 50,8 | 34,1 | 36,5 | 11 | 71 | 14,3 | 38 | M10 | 13 | 47,8 | 60 | SUC205 | SPA205 | 0,78 | |
| | 1 | SUCPA205-16 | 76 | 50,8 | 34,1 | 36,5 | 11 | 71 | 14,3 | 38 | M10 | 13 | 47,8 | 60 | SUC205-16 | SPA205 | 0,78 | |
| 30 | | SUCPA206 | 102 | 76,2 | 38,1 | 42,9 | 12 | 86 | 15,9 | 38 | M10 | 16 | 52,8 | 70 | SUC206 | SPA206 | 1,30 | |
| | 1 3/16 | SUCPA206-19 | 102 | 76,2 | 38,1 | 42,9 | 12 | 86 | 15,9 | 38 | M10 | 16 | 52,8 | 70 | SUC206-19 | SPA206 | 1,30 | |
| | 1 1/4 | SUCPA206-20 | 102 | 76,2 | 38,1 | 42,9 | 12 | 86 | 15,9 | 38 | M10 | 16 | 52,8 | 70 | SUC206-20 | SPA206 | 1,30 | |
| 35 | | SUCPA207 | 108 | 82,6 | 42,9 | 47,6 | 12 | 95 | 17,5 | 48 | M10 | 19 | 57,4 | 80 | SUC207 | SPA207 | 1,72 | |
| | 1 3/8 | SUCPA207-22 | 108 | 82,6 | 42,9 | 47,6 | 12 | 95 | 17,5 | 48 | M10 | 19 | 57,4 | 80 | SUC207-22 | SPA207 | 1,72 | |
| | 1 7/16 | SUCPA207-23 | 108 | 82,6 | 42,9 | 47,6 | 12 | 95 | 17,5 | 48 | M10 | 19 | 57,4 | 80 | SUC207-23 | SPA207 | 1,72 | |
| 40 | | SUCPA208 | 117 | 89 | 49,2 | 49,2 | 13 | 100 | 19 | 48 | M12 | 19 | 66,8 | 88 | SUC208 | SPA208 | 1,91 | |
| | 1 1/2 | SUCPA208-24 | 117 | 89 | 49,2 | 49,2 | 13 | 100 | 19 | 48 | M12 | 19 | 66,8 | 88 | SUC208-24 | SPA208 | 1,91 | |
| 45 | | SUCPA209 | 127 | 95,3 | 49,2 | 54 | 13 | 108 | 19 | 51 | M12 | 19 | 67,8 | 95 | SUC209 | SPA209 | 2,33 | |
| | 1 3/4 | SUCPA209-28 | 127 | 95,3 | 49,2 | 54 | 13 | 108 | 19 | 51 | M12 | 19 | 67,8 | 95 | SUC209-28 | SPA209 | 2,33 | |
| 50 | | SUCPA210 | 140 | 101,6 | 51,6 | 57,2 | 13 | 117 | 19 | 51 | M16 | 19 | 75,6 | 100 | SUC210 | SPA210 | 2,83 | |
| | 1 15/16 | SUCPA210-31 | 140 | 101,6 | 51,6 | 57,2 | 13 | 117 | 19 | 51 | M16 | 19 | 75,6 | 100 | SUC210-31 | SPA210 | 2,83 | |

**Housing
Bearing insert**

**SPA 200 with grease fitting
SES 200 with eccentric locking collar**



Shaft diameter

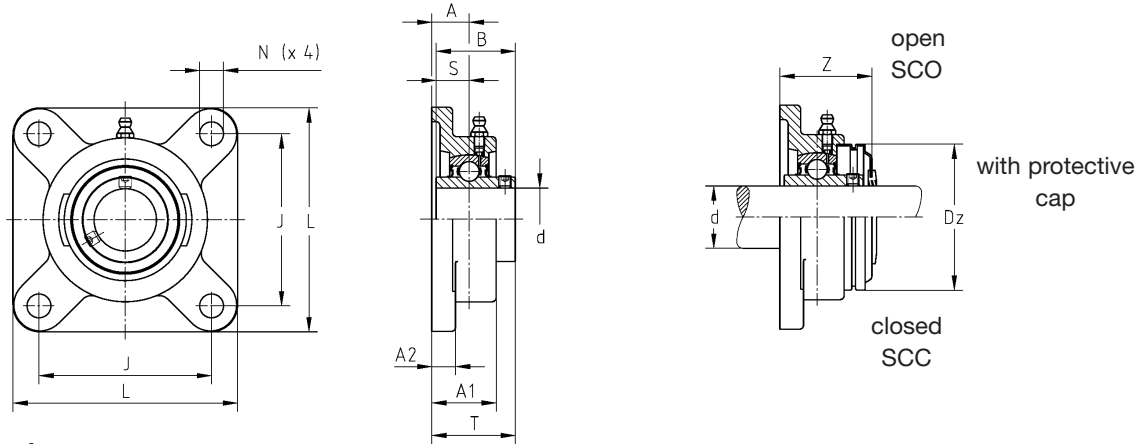
| metric | inch |
|------------|---------------|
| 12 - 50 mm | 3/4 - 1 15/16 |

| Shaft diameter | | Unit code | Dimensions [mm] | | | | | | | | | | | | | Insert | Housing | Kg |
|----------------|----------|-------------|-----------------|-------|------|------|----|-----|-----|----|-----|----|------------------|-----|-----------|--------|---------|----|
| d [mm] | d [inch] | | L | J | B | H | H1 | H2 | S | A | N | T | Z _{max} | Dz | | | | |
| 12 | | SESPA201 | 73 | 50,8 | 28,6 | 30,2 | 11 | 62 | 6 | 38 | M8 | 13 | 45,6 | 54 | SES201 | SPA204 | 0,65 | |
| 15 | | SESPA202 | 73 | 50,8 | 28,6 | 30,2 | 11 | 62 | 6 | 38 | M8 | 13 | 45,6 | 54 | SES202 | SPA204 | 0,64 | |
| 17 | | SESPA203 | 73 | 50,8 | 28,6 | 30,2 | 11 | 62 | 6 | 38 | M8 | 13 | 45,6 | 54 | SES203 | SPA204 | 0,63 | |
| 20 | | SESPA204 | 73 | 50,8 | 31 | 33,3 | 11 | 65 | 7 | 38 | M8 | 13 | 45,6 | 54 | SES204 | SPA204 | 0,69 | |
| | 3/4 | SESPA204-12 | 73 | 50,8 | 31 | 33,3 | 11 | 65 | 7 | 38 | M8 | 13 | 45,6 | 54 | SES204-12 | SPA204 | 0,69 | |
| 25 | | SESPA205 | 76 | 50,8 | 31 | 36,5 | 11 | 71 | 7,5 | 38 | M10 | 13 | 47,8 | 60 | SES205 | SPA205 | 0,78 | |
| | 1 | SESPA205-16 | 76 | 50,8 | 31 | 36,5 | 11 | 71 | 7,5 | 38 | M10 | 13 | 47,8 | 60 | SES205-16 | SPA205 | 0,78 | |
| 30 | | SESPA206 | 102 | 76,2 | 35,7 | 42,9 | 12 | 86 | 8 | 38 | M10 | 16 | 52,8 | 70 | SES206 | SPA206 | 1,30 | |
| | 1 3/16 | SESPA206-19 | 102 | 76,2 | 35,7 | 42,9 | 12 | 86 | 8 | 38 | M10 | 16 | 52,8 | 70 | SES206-19 | SPA206 | 1,30 | |
| | 1 1/4 | SESPA206-20 | 102 | 76,2 | 35,7 | 42,9 | 12 | 86 | 8 | 38 | M10 | 16 | 52,8 | 70 | SES206-20 | SPA206 | 1,30 | |
| 35 | | SESPA207 | 108 | 82,6 | 38,9 | 47,6 | 12 | 95 | 8,5 | 48 | M10 | 19 | 57,4 | 80 | SES207 | SPA207 | 1,75 | |
| | 1 3/8 | SESPA207-22 | 108 | 82,6 | 38,9 | 47,6 | 12 | 95 | 8,5 | 48 | M10 | 19 | 57,4 | 80 | SES207-22 | SPA207 | 1,75 | |
| | 1 7/16 | SESPA207-23 | 108 | 82,6 | 38,9 | 47,6 | 12 | 95 | 8,5 | 48 | M10 | 19 | 57,4 | 80 | SES207-23 | SPA207 | 1,75 | |
| 40 | | SESPA208 | 117 | 89 | 43,7 | 49,2 | 13 | 100 | 9 | 48 | M12 | 19 | 66,8 | 88 | SES208 | SPA208 | 1,92 | |
| | 1 1/2 | SESPA208-24 | 117 | 89 | 43,7 | 49,2 | 13 | 100 | 9 | 48 | M12 | 19 | 66,8 | 88 | SES208-24 | SPA208 | 1,92 | |
| 45 | | SESPA209 | 127 | 95,3 | 43,7 | 54 | 13 | 108 | 9,5 | 51 | M12 | 19 | 67,8 | 95 | SES209 | SPA209 | 2,30 | |
| | 1 3/4 | SESPA209-28 | 127 | 95,3 | 43,7 | 54 | 13 | 108 | 9,5 | 51 | M12 | 19 | 67,8 | 95 | SES209-28 | SPA209 | 2,30 | |
| 50 | | SESPA210 | 140 | 101,6 | 43,7 | 57,2 | 13 | 117 | 10 | 51 | M16 | 19 | 75,6 | 100 | SES210 | SPA210 | 2,81 | |
| | 1 15/16 | SESPA210-31 | 140 | 101,6 | 43,7 | 57,2 | 13 | 117 | 10 | 51 | M16 | 19 | 75,6 | 100 | SES210-31 | SPA210 | 2,81 | |

Four-bolt flanged units

Four-bolt flanged housing
Bearing insert

SF 200 with grease fitting
SUC 200 with set screws



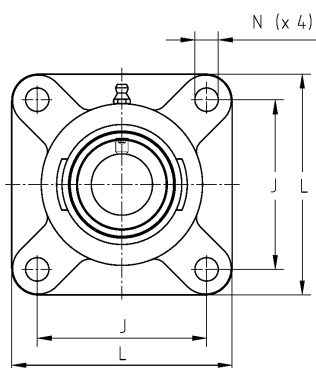
SUCF200

Shaft diameter

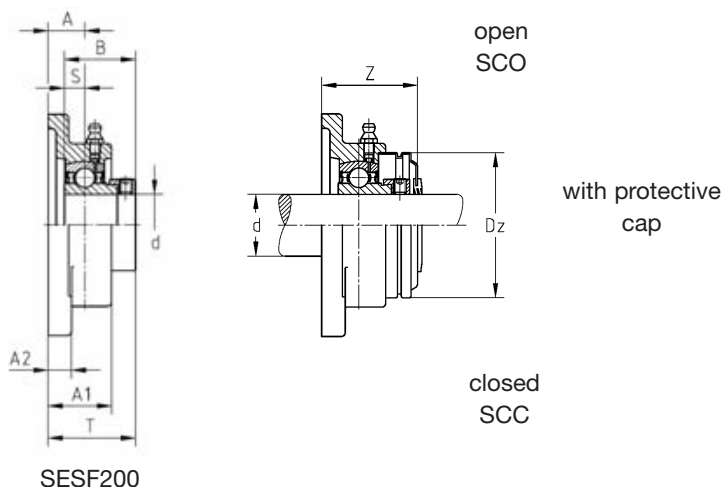
| metric | inch |
|------------|--------------|
| 12 - 60 mm | 3/4 - 2 7/16 |

| Shaft diameter | | Unit code | Dimensions [mm] | | | | | | | | | | | Insert | Housing | Kg |
|----------------|----------|------------|-----------------|-----|------|----|------|------|------|------|----|------------------|-----|-----------|---------|------|
| d [mm] | d [inch] | | L | J | B | A | A1 | A2 | S | T | N | Z _{max} | Dz | | | |
| 12 | | SUCF201 | 86 | 64 | 31 | 15 | 25,5 | 12 | 12,7 | 33,3 | 12 | 37,8 | 54 | SUC201 | SF204 | 0,66 |
| 15 | | SUCF202 | 86 | 64 | 31 | 15 | 25,5 | 12 | 12,7 | 33,3 | 12 | 37,8 | 54 | SUC202 | SF204 | 0,64 |
| 17 | | SUCF203 | 86 | 64 | 31 | 15 | 25,5 | 12 | 12,7 | 33,3 | 12 | 37,8 | 54 | SUC203 | SF204 | 0,63 |
| 20 | | SUCF204 | 86 | 64 | 31 | 15 | 25,5 | 12 | 12,7 | 33,3 | 12 | 37,8 | 54 | SUC204 | SF204 | 0,61 |
| | 3/4 | SUCF204-12 | 86 | 64 | 31 | 15 | 25,5 | 12 | 12,7 | 33,3 | 12 | 37,8 | 54 | SUC204-12 | SF204 | 0,61 |
| 25 | | SUCF205 | 95 | 70 | 34,1 | 16 | 27 | 14 | 14,3 | 35,8 | 12 | 39,9 | 60 | SUC205 | SF205 | 0,82 |
| | 1 | SUCF205-16 | 95 | 70 | 34,1 | 16 | 27 | 14 | 14,3 | 35,8 | 12 | 39,9 | 60 | SUC205-16 | SF205 | 0,82 |
| 30 | | SUCF206 | 108 | 83 | 38,1 | 18 | 30,5 | 14 | 15,9 | 40,2 | 12 | 44,4 | 70 | SUC206 | SF206 | 1,13 |
| | 1 3/16 | SUCF206-19 | 108 | 83 | 38,1 | 18 | 30,5 | 14 | 15,9 | 40,2 | 12 | 44,4 | 70 | SUC206-19 | SF206 | 1,13 |
| | 1 1/4 | SUCF206-20 | 108 | 83 | 38,1 | 18 | 30,5 | 14 | 15,9 | 40,2 | 12 | 44,4 | 70 | SUC206-20 | SF206 | 1,13 |
| 35 | | SUCF207 | 116 | 92 | 42,9 | 19 | 33,5 | 14,5 | 17,5 | 44,4 | 14 | 48,2 | 80 | SUC207 | SF207 | 1,41 |
| | 1 3/8 | SUCF207-22 | 116 | 92 | 42,9 | 19 | 33,5 | 14,5 | 17,5 | 44,4 | 14 | 48,2 | 80 | SUC207-22 | SF207 | 1,41 |
| | 1 7/16 | SUCF207-23 | 116 | 92 | 42,9 | 19 | 33,5 | 14,5 | 17,5 | 44,4 | 14 | 48,2 | 80 | SUC207-23 | SF207 | 1,41 |
| 40 | | SUCF208 | 130 | 102 | 49,2 | 21 | 36 | 14,5 | 19 | 51,2 | 16 | 54,4 | 88 | SUC208 | SF208 | 1,89 |
| | 1 1/2 | SUCF208-24 | 130 | 102 | 49,2 | 21 | 36 | 14,5 | 19 | 51,2 | 16 | 54,4 | 88 | SUC208-24 | SF208 | 1,89 |
| 45 | | SUCF209 | 137 | 105 | 49,2 | 22 | 38 | 15,5 | 19 | 52,2 | 16 | 55,9 | 95 | SUC209 | SF209 | 2,32 |
| | 1 3/4 | SUCF209-28 | 137 | 105 | 49,2 | 22 | 38 | 15,5 | 19 | 52,2 | 16 | 55,9 | 95 | SUC209-28 | SF209 | 2,32 |
| 50 | | SUCF210 | 143 | 111 | 51,6 | 22 | 40 | 15 | 19 | 54,6 | 16 | 59,8 | 100 | SUC210 | SF210 | 2,65 |
| | 1 15/16 | SUCF210-31 | 143 | 111 | 51,6 | 22 | 40 | 15 | 19 | 54,6 | 16 | 59,8 | 100 | SUC210-31 | SF210 | 2,65 |
| | 2 | SUCF211-32 | 162 | 130 | 55,6 | 25 | 44 | 20 | 22,2 | 58,4 | 19 | 62,6 | 110 | SUC211-32 | SF211 | 4,06 |
| 55 | | SUCF211 | 162 | 130 | 55,6 | 25 | 44 | 20 | 22,2 | 58,4 | 19 | 62,6 | 110 | SUC211 | SF211 | 4,06 |
| | 2 3/16 | SUCF211-35 | 162 | 130 | 55,6 | 25 | 44 | 20 | 22,2 | 58,4 | 19 | 62,6 | 110 | SUC211-35 | SF211 | 4,06 |
| 60 | | SUCF212 | 175 | 143 | 65,1 | 29 | 48 | 20 | 25,4 | 68,7 | 19 | 72,9 | 120 | SUC212 | SF212 | 5,48 |
| | 2 7/16 | SUCF212-39 | 175 | 143 | 65,1 | 29 | 48 | 20 | 25,4 | 68,7 | 19 | 72,9 | 120 | SUC212-39 | SF212 | 5,48 |

**Four-bolt flanged housing
Bearing insert**



**SF 200 with grease fitting
SES 200 with eccentric locking collar**



Shaft diameter

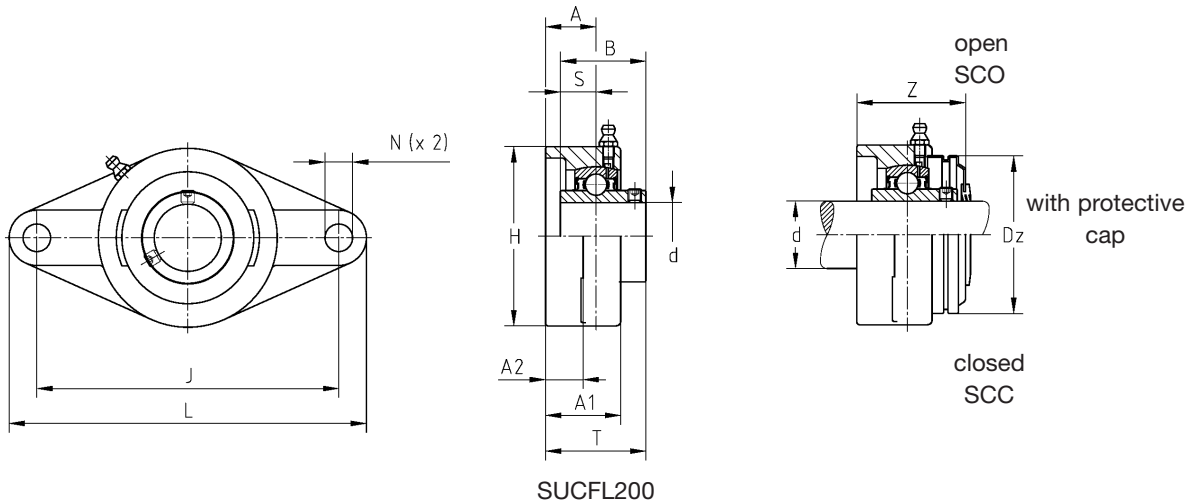
| metric | inch |
|------------|---------|
| 12 - 60 mm | 3/4 - 2 |

| Shaft diameter | | Unit code | Dimensions [mm] | | | | | | | | | | | Insert | Housing | Kg |
|----------------|----------|------------|-----------------|-----|------|----|------|------|------|------|----|------------------|-----|-----------|---------|------|
| d [mm] | d [inch] | | L | J | B | A | A1 | A2 | S | T | N | Z _{max} | Dz | | | |
| 12 | | SESF201 | 86 | 64 | 28,6 | 15 | 25,5 | 12 | 6 | 37,6 | 12 | 37,8 | 46 | SES201 | SF204 | 0,59 |
| 15 | | SESF202 | 86 | 64 | 28,6 | 15 | 25,5 | 12 | 6 | 37,6 | 12 | 37,8 | 46 | SES202 | SF204 | 0,57 |
| 17 | | SESF203 | 86 | 64 | 28,6 | 15 | 25,5 | 12 | 6 | 37,6 | 12 | 37,8 | 46 | SES203 | SF204 | 0,56 |
| 20 | | SESF204 | 86 | 64 | 31 | 15 | 25,5 | 12 | 7 | 39 | 12 | 37,8 | 54 | SES204 | SF204 | 0,62 |
| | 3/4 | SESF204-12 | 86 | 64 | 31 | 15 | 25,5 | 12 | 7 | 39 | 12 | 37,8 | 54 | SES204-12 | SF204 | 0,62 |
| 25 | | SESF205 | 95 | 70 | 31 | 16 | 27 | 14 | 7,5 | 39,5 | 12 | 39,9 | 60 | SES205 | SF205 | 0,82 |
| | 1 | SESF205-16 | 95 | 70 | 31 | 16 | 27 | 14 | 7,5 | 39,5 | 12 | 39,9 | 60 | SES205-16 | SF205 | 0,82 |
| 30 | | SESF206 | 108 | 83 | 35,7 | 18 | 30,5 | 14 | 8 | 45,7 | 12 | 44,4 | 70 | SES206 | SF206 | 1,13 |
| | 1 3/16 | SESF206-19 | 108 | 83 | 35,7 | 18 | 30,5 | 14 | 8 | 45,7 | 12 | 44,4 | 70 | SES206-19 | SF206 | 1,13 |
| | 1 1/4 | SESF206-20 | 108 | 83 | 35,7 | 18 | 30,5 | 14 | 8 | 45,7 | 12 | 44,4 | 70 | SES206-20 | SF206 | 1,13 |
| 35 | | SESF207 | 116 | 92 | 38,9 | 19 | 33,5 | 14,5 | 8,5 | 49,4 | 14 | 48,2 | 80 | SES207 | SF207 | 1,44 |
| | 1 3/8 | SESF207-22 | 116 | 92 | 38,9 | 19 | 33,5 | 14,5 | 8,5 | 49,4 | 14 | 48,2 | 80 | SES207-22 | SF207 | 1,44 |
| | 1 7/16 | SESF207-23 | 116 | 92 | 38,9 | 19 | 33,5 | 14,5 | 8,5 | 49,4 | 14 | 48,2 | 80 | SES207-23 | SF207 | 1,44 |
| 40 | | SESF208 | 130 | 102 | 43,7 | 21 | 36 | 14,5 | 9 | 55,7 | 16 | 54,4 | 88 | SES208 | SF208 | 1,90 |
| | 1 1/2 | SESF208-24 | 130 | 102 | 43,7 | 21 | 36 | 14,5 | 9 | 55,7 | 16 | 54,4 | 88 | SES208-24 | SF208 | 1,90 |
| 45 | | SESF209 | 137 | 105 | 43,7 | 22 | 38 | 15,5 | 9,5 | 56,2 | 16 | 55,9 | 95 | SES209 | SF209 | 2,29 |
| | 1 3/4 | SESF209-28 | 137 | 105 | 43,7 | 22 | 38 | 15,5 | 9,5 | 56,2 | 16 | 55,9 | 95 | SES209-28 | SF209 | 2,29 |
| 50 | | SESF210 | 143 | 111 | 43,7 | 22 | 40 | 15 | 10 | 55,7 | 16 | 59,8 | 100 | SES210 | SF210 | 2,62 |
| | 1 15/16 | SESF210-31 | 143 | 111 | 43,7 | 22 | 40 | 15 | 10 | 55,7 | 16 | 59,8 | 100 | SES210-31 | SF210 | 2,62 |
| | 2 | SESF211-32 | 162 | 130 | 48,4 | 25 | 44 | 20 | 10,5 | 62,9 | 19 | 62,6 | 110 | SES211-32 | SF211 | 4,03 |
| 55 | | SESF211 | 162 | 130 | 48,4 | 25 | 44 | 20 | 10,5 | 62,9 | 19 | 62,6 | 110 | SES211 | SF211 | 4,03 |
| 60 | | SESF212 | 175 | 143 | 53,1 | 29 | 48 | 20 | 11 | 71,1 | 19 | 72,9 | 120 | SES212 | SF212 | 5,35 |

Two-bolt flanged units

Two-bolt flanged housing
Bearing insert

SFL 200 with grease fitting
SUC 200 with set screws



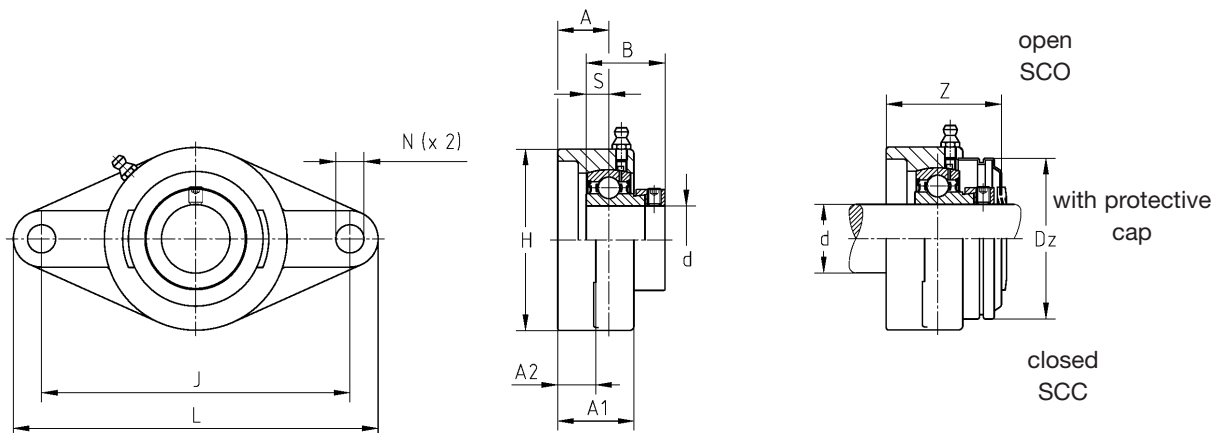
Shaft diameter

| metric | inch |
|------------|---------------|
| 12 - 50 mm | 3/4 - 1 15/16 |

| Shaft diameter | | Unit code | Dimensions [mm] | | | | | | | | | | | Insert | Housing | Kg | |
|----------------|----------|-------------|-----------------|-----|-----|------|----|------|----|------|------|----|------------------|--------|-----------|--------|------|
| d [mm] | d [inch] | | L | J | H | B | A | A1 | A2 | S | T | N | Z _{max} | | | | Dz |
| 12 | | SUCFL201 | 112 | 90 | 60 | 31 | 15 | 25,5 | 12 | 12,7 | 33,3 | 12 | 37,8 | 46 | SUC201 | SFL204 | 0,52 |
| 15 | | SUCFL202 | 112 | 90 | 60 | 31 | 15 | 25,5 | 12 | 12,7 | 33,3 | 12 | 37,8 | 46 | SUC202 | SFL204 | 0,51 |
| 17 | | SUCFL203 | 112 | 90 | 60 | 31 | 15 | 25,5 | 12 | 12,7 | 33,3 | 12 | 37,8 | 46 | SUC203 | SFL204 | 0,49 |
| 20 | | SUCFL204 | 112 | 90 | 60 | 31 | 15 | 25,5 | 12 | 12,7 | 33,3 | 12 | 37,8 | 54 | SUC204 | SFL204 | 0,47 |
| | 3/4 | SUCFL204-12 | 112 | 90 | 60 | 31 | 15 | 25,5 | 12 | 12,7 | 33,3 | 12 | 37,8 | 54 | SUC204-12 | SFL204 | 0,47 |
| 25 | | SUCFL205 | 125 | 99 | 68 | 34,1 | 16 | 27 | 13 | 14,3 | 35,8 | 16 | 39,9 | 60 | SUC205 | SFL205 | 0,60 |
| | 1 | SUCFL205-16 | 125 | 99 | 68 | 34,1 | 16 | 27 | 13 | 14,3 | 35,8 | 16 | 39,9 | 60 | SUC205-16 | SFL205 | 0,60 |
| 30 | | SUCFL206 | 141 | 117 | 80 | 38,1 | 18 | 31 | 13 | 15,9 | 40,2 | 16 | 44,4 | 70 | SUC206 | SFL206 | 0,89 |
| | 1 3/16 | SUCFL206-19 | 141 | 117 | 80 | 38,1 | 18 | 31 | 13 | 15,9 | 40,2 | 16 | 44,4 | 70 | SUC206-19 | SFL206 | 0,89 |
| | 1 1/4 | SUCFL206-20 | 141 | 117 | 80 | 38,1 | 18 | 31 | 13 | 15,9 | 40,2 | 16 | 44,4 | 70 | SUC206-20 | SFL206 | 0,89 |
| 35 | | SUCFL207 | 156 | 130 | 90 | 42,9 | 19 | 33 | 15 | 17,5 | 44,4 | 16 | 47,7 | 80 | SUC207 | SFL207 | 1,18 |
| | 1 3/8 | SUCFL207-22 | 156 | 130 | 90 | 42,9 | 19 | 33 | 15 | 17,5 | 44,4 | 16 | 47,7 | 80 | SUC207-22 | SFL207 | 1,18 |
| | 1 7/16 | SUCFL207-23 | 156 | 130 | 90 | 42,9 | 19 | 33 | 15 | 17,5 | 44,4 | 16 | 47,7 | 80 | SUC207-23 | SFL207 | 1,18 |
| 40 | | SUCFL208 | 172 | 144 | 100 | 49,2 | 21 | 36 | 15 | 19 | 51,2 | 16 | 54,4 | 88 | SUC208 | SFL208 | 1,53 |
| | 1 1/2 | SUCFL208-24 | 172 | 144 | 100 | 49,2 | 21 | 36 | 15 | 19 | 51,2 | 16 | 54,4 | 88 | SUC208-24 | SFL208 | 1,53 |
| 45 | | SUCFL209 | 180 | 148 | 108 | 49,2 | 22 | 38 | 15 | 19 | 52,2 | 19 | 55,9 | 95 | SUC209 | SFL209 | 1,81 |
| | 1 3/4 | SUCFL209-28 | 180 | 148 | 108 | 49,2 | 22 | 38 | 15 | 19 | 52,2 | 19 | 55,9 | 95 | SUC209-28 | SFL209 | 1,81 |
| 50 | | SUCFL210 | 190 | 157 | 115 | 51,6 | 22 | 39 | 16 | 19 | 54,6 | 19 | 59,8 | 100 | SUC210 | SFL210 | 2,17 |
| | 1 15/16 | SUCFL210-31 | 190 | 157 | 115 | 51,6 | 22 | 39 | 16 | 19 | 54,6 | 19 | 59,8 | 100 | SUC210-31 | SFL210 | 2,17 |

**Two-bolt flanged housing
Bearing insert**

**SFL 200 with grease fitting
SES 200 with eccentric locking collar**



SESFL200

Shaft diameter

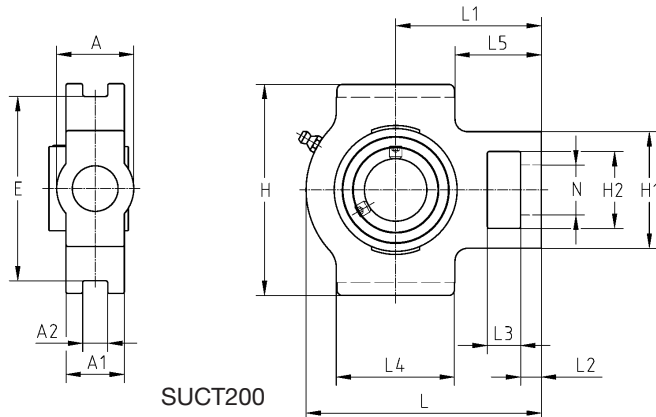
| metric | inch |
|------------|---------------|
| 12 - 50 mm | 3/4 - 1 15/16 |

| Shaft diameter | | Unit code | Dimensions [mm] | | | | | | | | | | | | | Insert | Housing | Kg |
|----------------|----------|-------------|-----------------|-----|-----|------|----|------|----|-----|------|----|------------------|-----|-----------|--------|---------|----|
| d [mm] | d [inch] | | L | J | H | B | A | A1 | A2 | S | T | N | Z _{max} | Dz | | | | |
| 12 | | SESFL201 | 112 | 90 | 60 | 28,6 | 15 | 25,5 | 12 | 6 | 37,6 | 12 | 37,8 | 46 | SES201 | SFL204 | 0,45 | |
| 15 | | SESFL202 | 112 | 90 | 60 | 28,6 | 15 | 25,5 | 12 | 6 | 37,6 | 12 | 37,8 | 46 | SES202 | SFL204 | 0,44 | |
| 17 | | SESFL203 | 112 | 90 | 60 | 28,6 | 15 | 25,5 | 12 | 6 | 37,6 | 12 | 37,8 | 46 | SES203 | SFL204 | 0,42 | |
| 20 | | SESFL204 | 112 | 90 | 60 | 31 | 15 | 25,5 | 12 | 7 | 39 | 12 | 37,8 | 54 | SES204 | SFL204 | 0,48 | |
| | 3/4 | SESFL204-12 | 112 | 90 | 60 | 31 | 15 | 25,5 | 12 | 7 | 39 | 12 | 37,8 | 54 | SES204-12 | SFL204 | 0,48 | |
| 25 | | SESFL205 | 125 | 99 | 68 | 31 | 16 | 27 | 13 | 7,5 | 39,5 | 16 | 39,9 | 60 | SES205 | SFL205 | 0,60 | |
| | 1 | SESFL205-16 | 125 | 99 | 68 | 31 | 16 | 27 | 13 | 7,5 | 39,5 | 16 | 39,9 | 60 | SES205-16 | SFL205 | 0,60 | |
| 30 | | SESFL206 | 141 | 117 | 80 | 35,7 | 18 | 31 | 13 | 8 | 45,7 | 16 | 44,4 | 70 | SES206 | SFL206 | 0,88 | |
| | 1 3/16 | SESFL206-19 | 141 | 117 | 80 | 35,7 | 18 | 31 | 13 | 8 | 45,7 | 16 | 44,4 | 70 | SES206-19 | SFL206 | 0,88 | |
| | 1 1/4 | SESFL206-20 | 141 | 117 | 80 | 35,7 | 18 | 31 | 13 | 8 | 45,7 | 16 | 44,4 | 70 | SES206-20 | SFL206 | 0,88 | |
| 35 | | SESFL207 | 156 | 130 | 90 | 38,9 | 19 | 33 | 15 | 8,5 | 49,4 | 16 | 47,7 | 80 | SES207 | SFL207 | 1,21 | |
| | 1 3/8 | SESFL207-22 | 156 | 130 | 90 | 38,9 | 19 | 33 | 15 | 8,5 | 49,4 | 16 | 47,7 | 80 | SES207-22 | SFL207 | 1,21 | |
| | 1 7/16 | SESFL207-23 | 156 | 130 | 90 | 38,9 | 19 | 33 | 15 | 8,5 | 49,4 | 16 | 47,7 | 80 | SES207-23 | SFL207 | 1,21 | |
| 40 | | SESFL208 | 172 | 144 | 100 | 43,7 | 21 | 36 | 15 | 9 | 55,7 | 16 | 54,4 | 88 | SES208 | SFL208 | 1,54 | |
| | 1 1/2 | SESFL208-24 | 172 | 144 | 100 | 43,7 | 21 | 36 | 15 | 9 | 55,7 | 16 | 54,4 | 88 | SES208-24 | SFL208 | 1,54 | |
| 45 | | SESFL209 | 180 | 148 | 108 | 43,7 | 22 | 38 | 15 | 9,5 | 56,2 | 19 | 55,9 | 95 | SES209 | SFL209 | 1,79 | |
| | 1 3/4 | SESFL209-28 | 180 | 148 | 108 | 43,7 | 22 | 38 | 15 | 9,5 | 56,2 | 19 | 55,9 | 95 | SES209-28 | SFL209 | 1,79 | |
| 50 | | SESFL210 | 190 | 157 | 115 | 43,7 | 22 | 39 | 16 | 10 | 55,7 | 19 | 59,8 | 100 | SES210 | SFL210 | 2,15 | |
| | 1 15/16 | SESFL210-31 | 190 | 157 | 115 | 43,7 | 22 | 39 | 16 | 10 | 55,7 | 19 | 59,8 | 100 | SES210-31 | SFL210 | 2,15 | |

Take-up unit

Housing
Bearing insert

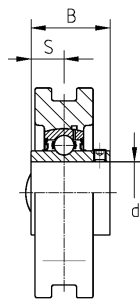
ST 200 with grease fitting
SUC 200 with set screws



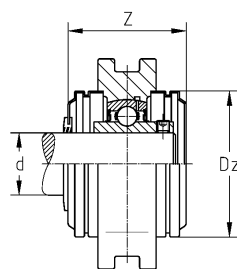
Shaft diameter

| metric | inch |
|------------|---------------|
| 12 - 50 mm | 3/4 - 1 15/16 |

| Shaft diameter | | Unit code | Dimensions [mm] | | | | | | | | | |
|----------------|----------|------------|-----------------|-----|----|------|----|--------------------|---------------------|------|----|----|
| d [mm] | d [inch] | | L | H | A | B | A1 | A2 | E | S | L1 | L2 |
| 12 | | SUCT201 | 94 | 89 | 32 | 31 | 21 | 12 ^{+0,2} | 76 _{-0,5} | 12,7 | 61 | 10 |
| 15 | | SUCT202 | 94 | 89 | 32 | 31 | 21 | 12 ^{+0,2} | 76 _{-0,5} | 12,7 | 61 | 10 |
| 17 | | SUCT203 | 94 | 89 | 32 | 31 | 21 | 12 ^{+0,2} | 76 _{-0,5} | 12,7 | 61 | 10 |
| 20 | | SUCT204 | 94 | 89 | 32 | 31 | 21 | 12 ^{+0,2} | 76 _{-0,5} | 12,7 | 61 | 10 |
| | 3/4 | SUCT204-12 | 94 | 89 | 32 | 31 | 21 | 12 ^{+0,2} | 76 _{-0,5} | 12,7 | 61 | 10 |
| 25 | | SUCT205 | 97 | 89 | 32 | 34,1 | 24 | 12 ^{+0,2} | 76 _{-0,5} | 14,3 | 62 | 10 |
| | 1 | SUCT205-16 | 97 | 89 | 32 | 34,1 | 24 | 12 ^{+0,2} | 76 _{-0,5} | 14,3 | 62 | 10 |
| 30 | | SUCT206 | 113 | 102 | 37 | 38,1 | 28 | 12 ^{+0,2} | 89 _{-0,5} | 15,9 | 70 | 10 |
| | 1 3/16 | SUCT206-19 | 113 | 102 | 37 | 38,1 | 28 | 12 ^{+0,2} | 89 _{-0,5} | 15,9 | 70 | 10 |
| | 1 1/4 | SUCT206-20 | 113 | 102 | 37 | 38,1 | 28 | 12 ^{+0,2} | 89 _{-0,5} | 15,9 | 70 | 10 |
| 35 | | SUCT207 | 129 | 102 | 37 | 42,9 | 30 | 12 ^{+0,2} | 89 _{-0,5} | 17,5 | 78 | 13 |
| | 1 3/8 | SUCT207-22 | 129 | 102 | 37 | 42,9 | 30 | 12 ^{+0,2} | 89 _{-0,5} | 17,5 | 78 | 13 |
| | 1 7/16 | SUCT207-23 | 129 | 102 | 37 | 42,9 | 30 | 12 ^{+0,2} | 89 _{-0,5} | 17,5 | 78 | 13 |
| 40 | | SUCT208 | 144 | 114 | 49 | 49,2 | 33 | 16 ^{+0,2} | 102 _{-0,5} | 19 | 88 | 16 |
| | 1 1/2 | SUCT208-24 | 144 | 114 | 49 | 49,2 | 33 | 16 ^{+0,2} | 102 _{-0,5} | 19 | 88 | 16 |
| 45 | | SUCT209 | 144 | 117 | 49 | 49,2 | 35 | 16 ^{+0,2} | 102 _{-0,5} | 19 | 87 | 16 |
| | 1 3/4 | SUCT209-28 | 144 | 117 | 49 | 49,2 | 35 | 16 ^{+0,2} | 102 _{-0,5} | 19 | 87 | 16 |
| 50 | | SUCT210 | 149 | 117 | 49 | 51,6 | 37 | 16 ^{+0,2} | 102 _{-0,5} | 19 | 90 | 16 |
| | 1 15/16 | SUCT210-31 | 149 | 117 | 49 | 51,6 | 37 | 16 ^{+0,2} | 102 _{-0,5} | 19 | 90 | 16 |



SUCT200



open
SCO

closed
SCC

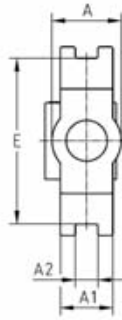
with protective cap

| | | | | | | | | Insert | Housing | Kg |
|----|----|------|----|----|----|-------------------|-----|-----------|---------|------|
| L3 | L4 | L5 | N | H1 | H2 | Z _{max.} | Dz | | | |
| 16 | 51 | 35,5 | 19 | 51 | 32 | 45,6 | 54 | SUC201 | ST204 | 0,84 |
| 16 | 51 | 35,5 | 19 | 51 | 32 | 45,6 | 54 | SUC202 | ST204 | 0,83 |
| 16 | 51 | 35,5 | 19 | 51 | 32 | 45,6 | 54 | SUC203 | ST204 | 0,81 |
| 16 | 51 | 35,5 | 19 | 51 | 32 | 45,6 | 54 | SUC204 | ST204 | 0,79 |
| 16 | 51 | 35,5 | 19 | 51 | 32 | 45,6 | 54 | SUC204-12 | ST204 | 0,79 |
| 16 | 51 | 36,5 | 19 | 51 | 32 | 47,8 | 60 | SUC205 | ST205 | 0,88 |
| 16 | 51 | 36,5 | 19 | 51 | 32 | 47,8 | 60 | SUC205-16 | ST205 | 0,88 |
| 16 | 57 | 41,5 | 22 | 56 | 37 | 52,8 | 70 | SUC206 | ST206 | 1,36 |
| 16 | 57 | 41,5 | 22 | 56 | 37 | 52,8 | 70 | SUC206-19 | ST206 | 1,36 |
| 16 | 57 | 41,5 | 22 | 56 | 37 | 52,8 | 70 | SUC206-20 | ST206 | 1,36 |
| 16 | 64 | 46 | 22 | 64 | 37 | 57,4 | 80 | SUC207 | ST207 | 1,72 |
| 16 | 64 | 46 | 22 | 64 | 37 | 57,4 | 80 | SUC207-22 | ST207 | 1,72 |
| 16 | 64 | 46 | 22 | 64 | 37 | 57,4 | 80 | SUC207-23 | ST207 | 1,72 |
| 19 | 83 | 46,5 | 29 | 83 | 49 | 66,8 | 88 | SUC208 | ST208 | 2,54 |
| 19 | 83 | 46,5 | 29 | 83 | 49 | 66,8 | 88 | SUC208-24 | ST208 | 2,54 |
| 19 | 83 | 45,5 | 29 | 83 | 49 | 67,8 | 95 | SUC209 | ST209 | 2,53 |
| 19 | 83 | 45,5 | 29 | 83 | 49 | 67,8 | 95 | SUC209-28 | ST209 | 2,53 |
| 19 | 86 | 47 | 29 | 83 | 49 | 75,6 | 100 | SUC210 | ST210 | 2,68 |
| 19 | 86 | 47 | 29 | 83 | 49 | 75,6 | 100 | SUC210-31 | ST210 | 2,68 |

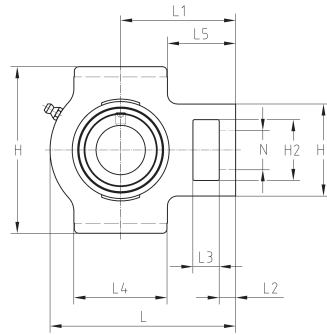
Take-up units

Housing
Bearing insert

ST 200 with grease fitting
SES 200 with eccentric locking collar



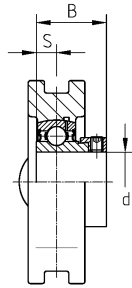
SEST200



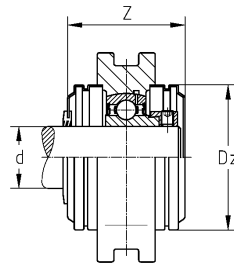
Shaft diameter

| metric | inch |
|------------|---------------|
| 12 - 50 mm | 3/4 - 1 15/16 |

| Shaft diameter | | Unit code | Dimensions [mm] | | | | | | | | | |
|----------------|----------|------------|-----------------|-----|----|------|----|--------------------|---------------------|-----|----|----|
| d [mm] | d [inch] | | L | H | A | B | A1 | A2 | E | S | L1 | L2 |
| 12 | | SEST201 | 94 | 89 | 32 | 28,6 | 21 | 12 ^{+0,2} | 76 _{-0,5} | 6 | 61 | 10 |
| 15 | | SEST202 | 94 | 89 | 32 | 28,6 | 21 | 12 ^{+0,2} | 76 _{-0,5} | 6 | 61 | 10 |
| 17 | | SEST203 | 94 | 89 | 32 | 28,6 | 21 | 12 ^{+0,2} | 76 _{-0,5} | 6 | 61 | 10 |
| 20 | | SEST204 | 94 | 89 | 32 | 31 | 21 | 12 ^{+0,2} | 76 _{-0,5} | 7 | 61 | 10 |
| | 3/4 | SEST204-12 | 94 | 89 | 32 | 31 | 21 | 12 ^{+0,2} | 76 _{-0,5} | 7 | 61 | 10 |
| 25 | | SEST205 | 97 | 89 | 32 | 31 | 24 | 12 ^{+0,2} | 76 _{-0,5} | 7,5 | 62 | 10 |
| | 1 | SEST205-16 | 97 | 89 | 32 | 31 | 24 | 12 ^{+0,2} | 76 _{-0,5} | 7,5 | 62 | 10 |
| 30 | | SEST206 | 113 | 102 | 37 | 35,7 | 28 | 12 ^{+0,2} | 89 _{-0,5} | 8 | 70 | 10 |
| | 1 3/16 | SEST206-19 | 113 | 102 | 37 | 35,7 | 28 | 12 ^{+0,2} | 89 _{-0,5} | 8 | 70 | 10 |
| | 1 1/4 | SEST206-20 | 113 | 102 | 37 | 35,7 | 28 | 12 ^{+0,2} | 89 _{-0,5} | 8 | 70 | 10 |
| 35 | | SEST207 | 129 | 102 | 37 | 38,9 | 30 | 12 ^{+0,2} | 89 _{-0,5} | 8,5 | 78 | 13 |
| | 1 3/8 | SEST207-22 | 129 | 102 | 37 | 38,9 | 30 | 12 ^{+0,2} | 89 _{-0,5} | 8,5 | 78 | 13 |
| | 1 7/16 | SEST207-23 | 129 | 102 | 37 | 38,9 | 30 | 12 ^{+0,2} | 89 _{-0,5} | 8,5 | 78 | 13 |
| 40 | | SEST208 | 144 | 114 | 49 | 43,7 | 33 | 16 ^{+0,2} | 102 _{-0,5} | 9 | 88 | 16 |
| | 1 1/2 | SEST208-24 | 144 | 114 | 49 | 43,7 | 33 | 16 ^{+0,2} | 102 _{-0,5} | 9 | 88 | 16 |
| 45 | | SEST209 | 144 | 117 | 49 | 43,7 | 35 | 16 ^{+0,2} | 102 _{-0,5} | 9,5 | 87 | 16 |
| | 1 3/4 | SEST209-28 | 144 | 117 | 49 | 43,7 | 35 | 16 ^{+0,2} | 102 _{-0,5} | 9,5 | 87 | 16 |
| 50 | | SEST210 | 149 | 117 | 49 | 43,7 | 37 | 16 ^{+0,2} | 102 _{-0,5} | 10 | 90 | 16 |
| | 1 15/16 | SEST210-31 | 149 | 117 | 49 | 43,7 | 37 | 16 ^{+0,2} | 102 _{-0,5} | 10 | 90 | 16 |



SEST200



open
SCO

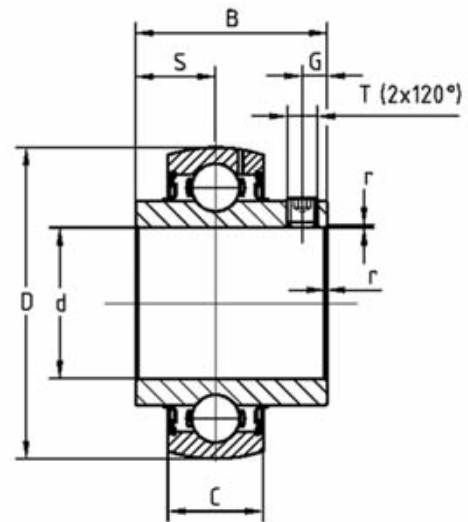
closed
SCC

with protective cap

| | | | | | | | | Insert | Housing | Kg |
|----|----|------|----|----|----|------------------|-----|-----------|---------|------|
| L3 | L4 | L5 | N | H1 | H2 | Z _{max} | Dz | | | |
| 16 | 51 | 35,5 | 19 | 51 | 32 | 45,6 | 54 | SES201 | ST204 | 0,77 |
| 16 | 51 | 35,5 | 19 | 51 | 32 | 45,6 | 54 | SES202 | ST204 | 0,76 |
| 16 | 51 | 35,5 | 19 | 51 | 32 | 45,6 | 54 | SES203 | ST204 | 0,74 |
| 16 | 51 | 35,5 | 19 | 51 | 32 | 45,6 | 54 | SES204 | ST204 | 0,80 |
| 16 | 51 | 35,5 | 19 | 51 | 32 | 45,6 | 54 | SES204-12 | ST204 | 0,80 |
| 16 | 51 | 36,5 | 19 | 51 | 32 | 47,8 | 60 | SES205 | ST205 | 0,88 |
| 16 | 51 | 36,5 | 19 | 51 | 32 | 47,8 | 60 | SES205-16 | ST205 | 0,88 |
| 16 | 57 | 41,5 | 22 | 56 | 37 | 52,8 | 70 | SES206 | ST206 | 1,36 |
| 16 | 57 | 41,5 | 22 | 56 | 37 | 52,8 | 70 | SES206-19 | ST206 | 1,36 |
| 16 | 57 | 41,5 | 22 | 56 | 37 | 52,8 | 70 | SES206-20 | ST206 | 1,36 |
| 16 | 64 | 46 | 22 | 64 | 37 | 57,4 | 80 | SES207 | ST207 | 1,75 |
| 16 | 64 | 46 | 22 | 64 | 37 | 57,4 | 80 | SES207-22 | ST207 | 1,75 |
| 16 | 64 | 46 | 22 | 64 | 37 | 57,4 | 80 | SES207-23 | ST207 | 1,75 |
| 19 | 83 | 46,5 | 29 | 83 | 49 | 66,8 | 88 | SES208 | ST208 | 2,55 |
| 19 | 83 | 46,5 | 29 | 83 | 49 | 66,8 | 88 | SES208-24 | ST208 | 2,55 |
| 19 | 83 | 45,5 | 29 | 83 | 49 | 67,8 | 95 | SES209 | ST209 | 2,50 |
| 19 | 83 | 45,5 | 29 | 83 | 49 | 67,8 | 95 | SES209-28 | ST209 | 2,50 |
| 19 | 86 | 47 | 29 | 83 | 49 | 75,6 | 100 | SES210 | ST210 | 2,66 |
| 19 | 86 | 47 | 29 | 83 | 49 | 75,6 | 100 | SES210-31 | ST210 | 2,66 |

Bearing inserts with set screws - SUC200

Standard design with 2 set screws and lubrication holes in the outer ring



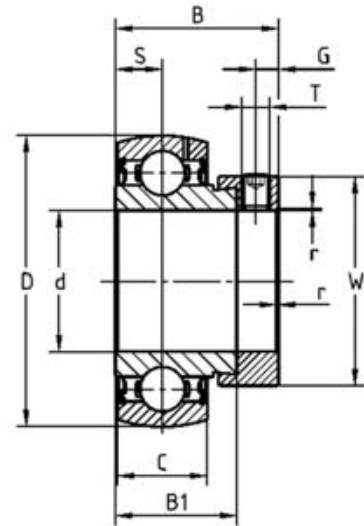
Shaft diameter

| metric | inch |
|------------|--------------|
| 12 - 60 mm | 3/4 - 2 7/16 |

| Shaft diameter | | Bearing code | Dimensions [mm] | | | | | | | Load rating [N] | | Kg |
|----------------|----------|--------------|-----------------|------|------|------------------|----|----------|----|----------------------|------------------------|------|
| d [mm] | d [inch] | | D | B | S | r _{min} | C | T | G | C _r [dyn] | C _{or} [stat] | |
| 12 | | SUC201 | 47 | 31 | 12,7 | 0,5 | 17 | M6x1 | 5 | 10100 | 6800 | 0,21 |
| 15 | | SUC202 | 47 | 31 | 12,7 | 0,5 | 17 | M6x1 | 5 | 10100 | 6800 | 0,19 |
| 17 | | SUC203 | 47 | 31 | 12,7 | 0,5 | 17 | M6x1 | 5 | 10100 | 6800 | 0,18 |
| 20 | | SUC204 | 47 | 31 | 12,7 | 0,5 | 17 | M6x1 | 5 | 10100 | 6800 | 0,16 |
| | 3/4 | SUC204-12 | 47 | 31 | 12,7 | 0,5 | 17 | M6x1 | 5 | 10100 | 6800 | 0,16 |
| 25 | | SUC205 | 52 | 34,1 | 14,3 | 0,5 | 17 | M6x1 | 5 | 11000 | 8000 | 0,20 |
| | 1 | SUC205-16 | 52 | 34,1 | 14,3 | 0,5 | 17 | M6x1 | 5 | 11000 | 8000 | 0,20 |
| 30 | | SUC206 | 62 | 38,1 | 15,9 | 0,5 | 19 | M6x1 | 5 | 15300 | 11500 | 0,32 |
| | 1 3/16 | SUC206-19 | 62 | 38,1 | 15,9 | 0,5 | 19 | M6x1 | 5 | 15300 | 11500 | 0,32 |
| | 1 1/4 | SUC206-20 | 62 | 38,1 | 15,9 | 0,5 | 19 | M6x1 | 5 | 15300 | 11500 | 0,32 |
| 35 | | SUC207 | 72 | 42,9 | 17,5 | 1 | 20 | M8x1 | 6 | 20100 | 15600 | 0,47 |
| | 1 3/8 | SUC207-22 | 72 | 42,9 | 17,5 | 1 | 20 | M8x1 | 6 | 20100 | 15600 | 0,47 |
| | 1 7/16 | SUC207-23 | 72 | 42,9 | 17,5 | 1 | 20 | M8x1 | 6 | 20100 | 15600 | 0,47 |
| 40 | | SUC208 | 80 | 49,2 | 19 | 1 | 21 | M8x1 | 8 | 22800 | 18200 | 0,63 |
| | 1 1/2 | SUC208-24 | 80 | 49,2 | 19 | 1 | 21 | M8x1 | 8 | 22800 | 18200 | 0,63 |
| 45 | | SUC209 | 85 | 49,2 | 19 | 1 | 22 | M10x1,25 | 8 | 25700 | 20800 | 0,69 |
| | 1 3/4 | SUC209-28 | 85 | 49,2 | 19 | 1 | 22 | M10x1,25 | 8 | 25700 | 20800 | 0,69 |
| 50 | | SUC210 | 90 | 51,6 | 19 | 1 | 24 | M10x1,25 | 10 | 27500 | 23700 | 0,77 |
| | 1 15/16 | SUC210-31 | 90 | 51,6 | 19 | 1 | 24 | M10x1,25 | 10 | 27500 | 23700 | 0,77 |
| | 2 | SUC211-32 | 100 | 55,6 | 22,2 | 1 | 25 | M10x1,25 | 10 | 34000 | 25500 | 1,06 |
| 55 | | SUC211 | 100 | 55,6 | 22,2 | 1 | 25 | M10x1,25 | 10 | 34000 | 25500 | 1,06 |
| | 2 3/16 | SUC211-35 | 100 | 55,6 | 22,2 | 1 | 25 | M10x1,25 | 10 | 34000 | 25500 | 1,06 |
| 60 | | SUC212 | 110 | 65,1 | 25,4 | 1 | 27 | M10x1,25 | 10 | 41000 | 31500 | 1,47 |
| | 2 7/16 | SUC212-39 | 110 | 65,1 | 25,4 | 1 | 27 | M10x1,25 | 10 | 41000 | 31500 | 1,47 |

Bearing inserts with eccentric locking collar - SES200

Standard design with eccentric locking collar and lubrication holes in the outer ring



Shaft diameter

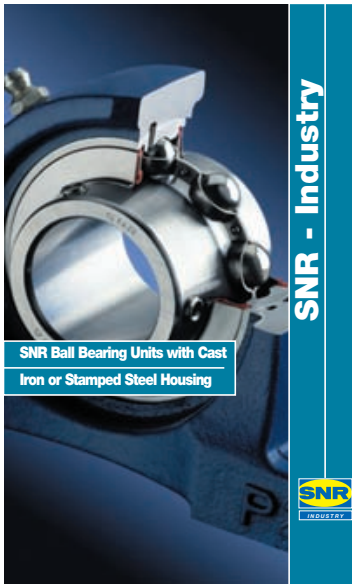
| metric | inch |
|------------|---------|
| 12 - 60 mm | 3/4 - 2 |

| Shaft diameter | | Bearing code | Dimensions [mm] | | | | | | | | | | Load rating [N] | | Kg |
|----------------|----------|--------------|-----------------|------|------|------------------|----|----------|-----|------|------|----------------------|------------------------|------|----|
| d [mm] | d [inch] | | D | B | S | r _{min} | C | T | G | B1 | W | C _r [dyn] | C _{or} [stat] | | |
| 12 | | SES201 | 40 | 28,6 | 6 | 0,5 | 12 | M6x1 | 5 | 19,1 | 28,6 | 7800 | 4500 | 0,14 | |
| 15 | | SES202 | 40 | 28,6 | 6 | 0,5 | 12 | M6x1 | 5 | 19,1 | 28,6 | 7800 | 4500 | 0,12 | |
| 17 | | SES203 | 40 | 28,6 | 6 | 0,5 | 12 | M6x1 | 5 | 19,1 | 28,6 | 7800 | 4500 | 0,11 | |
| 20 | | SES204 | 47 | 31 | 7 | 0,5 | 14 | M6x1 | 5 | 21,5 | 33,3 | 10100 | 6800 | 0,17 | |
| | 3/4 | SES204-12 | 47 | 31 | 7 | 0,5 | 14 | M6x1 | 5 | 21,5 | 33,3 | 10100 | 6800 | 0,17 | |
| 25 | | SES205 | 52 | 31 | 7,5 | 0,5 | 15 | M6x1 | 5 | 21,5 | 38,1 | 11000 | 8000 | 0,20 | |
| | 1 | SES205-16 | 52 | 31 | 7,5 | 0,5 | 15 | M6x1 | 5 | 21,5 | 38,1 | 11000 | 8000 | 0,20 | |
| 30 | | SES206 | 62 | 35,7 | 8 | 0,5 | 16 | M8x1 | 6 | 23,8 | 44,5 | 15300 | 11500 | 0,32 | |
| | 1 3/16 | SES206-19 | 62 | 35,7 | 8 | 0,5 | 16 | M8x1 | 6 | 23,8 | 44,5 | 15300 | 11500 | 0,32 | |
| | 1 1/4 | SES206-20 | 62 | 35,7 | 8 | 0,5 | 16 | M8x1 | 6 | 23,8 | 44,5 | 15300 | 11500 | 0,32 | |
| 35 | | SES207 | 72 | 38,9 | 8,5 | 1 | 17 | M8x1 | 6,5 | 25,4 | 55,6 | 20100 | 15600 | 0,51 | |
| | 1 3/8 | SES207-22 | 72 | 38,9 | 8,5 | 1 | 17 | M8x1 | 6,5 | 25,4 | 55,6 | 20100 | 15600 | 0,51 | |
| | 1 7/16 | SES207-23 | 72 | 38,9 | 8,5 | 1 | 17 | M8x1 | 6,5 | 25,4 | 55,6 | 20100 | 15600 | 0,51 | |
| 40 | | SES208 | 80 | 43,7 | 9 | 1 | 18 | M8x1 | 6,5 | 30,2 | 60,3 | 22800 | 18200 | 0,64 | |
| | 1 1/2 | SES208-24 | 80 | 43,7 | 9 | 1 | 18 | M8x1 | 6,5 | 30,2 | 60,3 | 22800 | 18200 | 0,64 | |
| 45 | | SES209 | 85 | 43,7 | 9,5 | 1 | 19 | M8x1 | 6,5 | 30,2 | 63,5 | 25700 | 20800 | 0,67 | |
| | 1 3/4 | SES209-28 | 85 | 43,7 | 9,5 | 1 | 19 | M8x1 | 6,5 | 30,2 | 63,5 | 25700 | 20800 | 0,67 | |
| 50 | | SES210 | 90 | 43,7 | 10 | 1 | 20 | M8x1 | 6,5 | 30,2 | 69,9 | 27500 | 23700 | 0,75 | |
| | 1 15/16 | SES210-31 | 90 | 43,7 | 10 | 1 | 20 | M8x1 | 6,5 | 30,2 | 69,9 | 27500 | 23700 | 0,75 | |
| | 2 | SES211-32 | 100 | 48,4 | 10,5 | 1 | 21 | M10x1,25 | 8 | 32,5 | 76,2 | 34000 | 25500 | 1,03 | |
| 55 | | SES211 | 100 | 48,4 | 10,5 | 1 | 21 | M10x1,25 | 8 | 32,5 | 76,2 | 34000 | 25500 | 1,03 | |
| 60 | | SES212 | 110 | 53,1 | 11 | 1 | 22 | M10x1,25 | 8 | 37,1 | 84,2 | 41000 | 31500 | 1,34 | |



SNR ball bearing unit range

SNR - Ball bearing units with cast iron or stamped steel housings



The “SNR Ball Bearings Units” catalogue contains the SNR standard range for ball bearings with housings made of cast iron and stamped steel. For many models there are various configurations available for the related shaft diameter. This variety of SNR ball bearings units provides the user with a suitable solution for almost every application.

The grey cast iron and stamped steel housings can be combined with numerous bearing inserts to obtain, the optimal type of fastening of the bearing insert to the shaft (adapter sleeve, eccentric locking collar, setscrew or floating bearing). The designer can thus find the best solution in the SNR standard range for ball bearing units.

To enhance shaft and bearing protection from contamination in harsh environments, it is possible to equip many SNR ball bearing units with protective caps made of stainless steel. These are available closed or open-ended with a double-lip seal.

SNR - Corrosion-resistant ball bearing units with thermoplastic housings



The ball bearing unit range in this catalogue incorporates housings made of thermoplastic PBT and bearing inserts of stainless steel or chrome-steel.

The units can be equipped with protective end caps made of SR 50 (polypropylene), open with double-lip seal for through shafts or closed for shaft ends.

The bearing units are used, among other areas, in the food and pharmaceutical industries with their high demands on hygiene and corrosion resistance of the materials used. For this reason all ball bearing units are lubricated with grease in accordance with the USDA H1 standard. Currently this standard places the most stringent requirements on the hygiene and purity of the materials used in the lubricant.



contatto
contatto

お問い合わせ

contacto
contacto

contact
contact

www.snr-contact.com

الاتصال ب

联系我们
Lian Xi Wo Men

Kontakt
Kontakt

contato
contato

AUTOMOTIVE / AEROSPACE / INDUSTRY

DOC_SSPAA_CAT1.GBa - Document non contractuel - SNR copyright international 11/2006 - Printed in France - Photos : SNR

