



DODGE[®]

METRIC TORQUE-ARM™ II ENGINEERING CATALOGUE



BALDOR
DODGE

To receive a copy of the DODGE Bearing Engineering Catalog, DODGE Gearing Engineering Catalog or DODGE Power Transmission Components Engineering Catalog, contact your local authorized DODGE Distributor or Baldor Electric Co., P.O. Box 499, 6040 Ponders Court, Greenville, SC 29602.

Below is a list of registered and trademarked names in the U.S.A.

AERO™	LIBERATOR®	SCR DESIGN®
AIRTROL®	LODE-SPHER®	SERVICELINE®
APEX®	MASTER®	SLEEVOIL DESIGN®
AUTOMATE®	MASTER and Design™	SLEEVOL®
AUTOMAX®	MAXPAK®	SOLIDLUBE®
Brand X™	MAXUM®	SPEEDSETTER®
BRONZOIL DESIGN®	METRE®	STAREC®
CALIBRE™	MINE DUTY EXTRA®	TAPER-LOCK®
DAGGRE™	MOTO DRIVE®	TCO APPRAISAL™
DODGE®	MOTODRIVE®	TCO TOOLBOX®
DODGE DOUBLE-INTERLOCK®	MOTOMATIC®	TIGEAR®
DOUBLE-INTERLOCK®	MOTO-MATIC®	TIGEAR-2™
DUTY MASTER®	NYLIGN®	TIGER TORQUE®
DYNA V®	PARAFLEX®	TORQUE-ARM™
DYNA V DESIGN®	PARA-FLEX®	TORQUE-TAMER®
DYN-ADJUST®	PLS®	TRANSMISSIONEER®
DYNAFACE®	POLYBAND®	TRANSMISSIONEERING®
DYNA-SYNC®	POLY-DISC®	TRI-MATIC®
ELECTRO-CRAFT®	POLY-FLEX®	TYPE E-XTRA®
ENDURASEAL®	POWER LEAN®	ULTIMA®
E-Z KLEEN®	QUANTIS®	ULTRA KLEEN™
E-Z KLEEN™	REEVES®	UNIBRAKE®
FIRST LINE®	RELIALUBE®	UNIFIED®
FLEXALIGN®	RELIANCE®	UNISPHERE®
FLEXIDYNE®	RELIANCE (IN KATAKANA)®	V S®
FLEXLINK®	RELIANCE AUTOMATION®	V*S®
FLEXPAK®	RELIANCE DESIGN®	V*S DESIGN®
GRID-LIGN®	RELIANCE ELECTRIC®	VARI-SPEED®
GRIP TIGHT®	RELIANCE V S DESIGN®	VARI-SPIN®
GRUNT MAN (Design only)®	RELIANCE V*S DESIGN®	VIA VISA®
GRUNT WORK AND DESIGN®	ROLLING GRIP®	VS STAR DEVICE®
HYDROIL®	RPM AC™	WEBPAK®
IMPAK®	RPM III™	WEBPAKCS®
INVERTRON®	SCHOOL OF TRANSMISSIONEERING®	

MEMBER OF . . .



AMERICAN GEAR MANUFACTURERS ASSOCIATION



MECHANICAL POWER TRANSMISSION ASSOCIATION

AFBMA

ANTI-FRICTION BEARING MANUFACTURERS ASSOCIATION



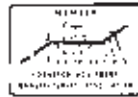
AMERICAN SUPPLY AND MACHINERY MANUFACTURERS ASSOCIATION, INC.



BEARING SPECIALISTS ASSOCIATION



POWER TRANSMISSION DISTRIBUTORS ASSOCIATION



CONVEYOR MANUFACTURERS ASSOCIATION



DODGE Products are
Manufactured in ISO 9002
Certified Plants

Prices and data indicated in this document are for your convenience and were correct at time of printing with the exception of clerical and/or printing errors. Possession of this document by any person or company is not to be construed as an offer to sell to him or to anyone else the goods listed herein at the prices stated.

ALL DATA AND PRICES ARE SUBJECT TO CHANGE WITHOUT NOTICE and shall be subject to those prices in effect at time of shipments. All published and quoted prices are based upon the application of, and all sales are expressly subject to, the Company's Standard Terms and Conditions of Sales are available upon request. This document supersedes all previously published catalog/pricing documents.

In illustrations throughout this catalog, safety guards have been removed for photographic purposes.

© 2007 Baldor Electric Company

WARNING

The information provided for Product Interchange in this catalog is for use only as a general reference by persons qualified to recognize unreasonable selection options. Products suggested as substitutes may have dimensional, rating, pricing and other differences from products to be replaced. This selection method must be used in conjunction with the applicable product catalog which contains important precautions and other pertinent information.

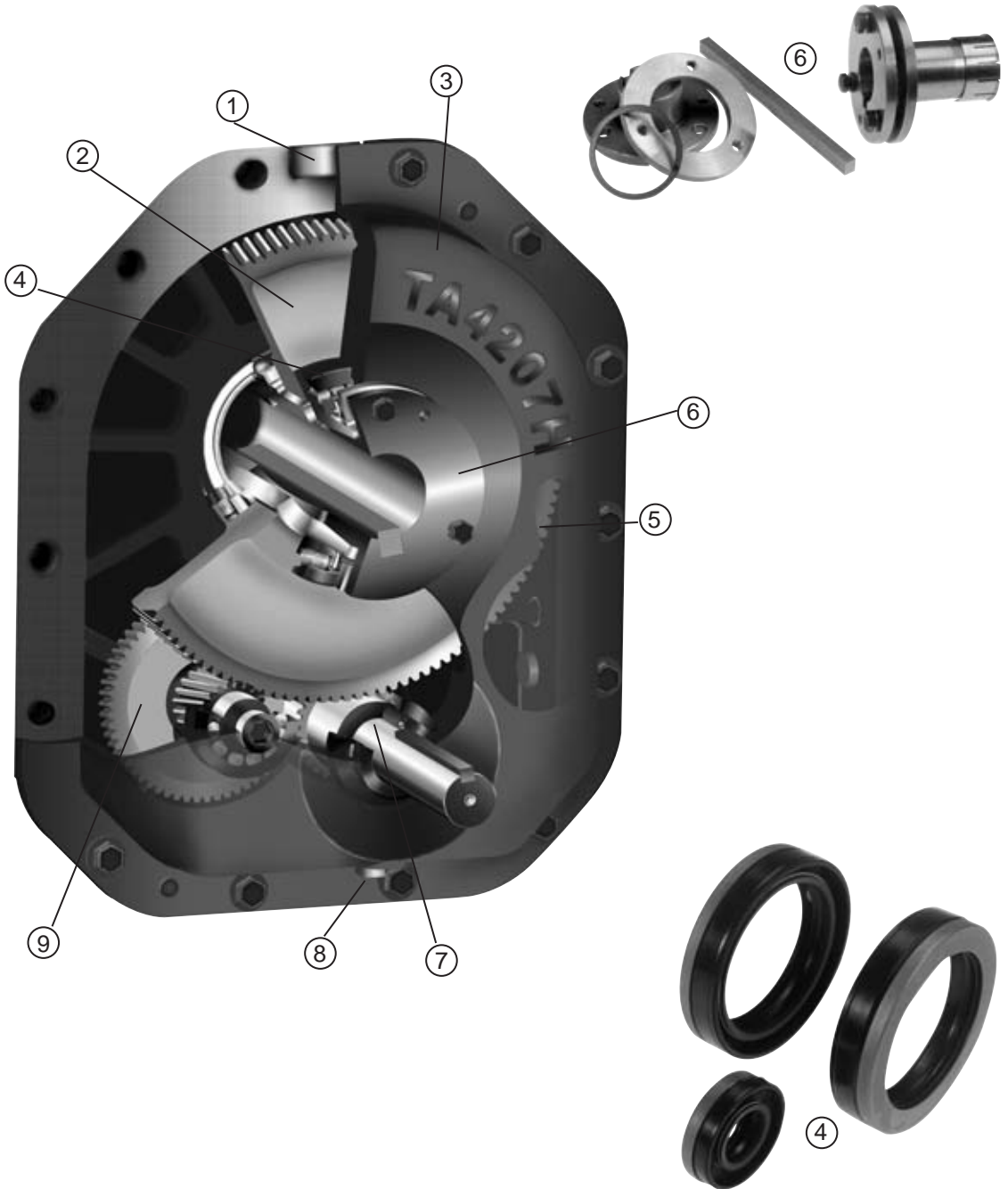
WARNING: Because of the possible danger to person(s) or property from accidents which may result from the improper use of products, it is important that correct procedures be followed: Products must be used in accordance with the engineering information specified in the catalog. Proper installation, maintenance and operation procedures must be observed. The instructions in the instruction manuals must be followed. Inspections should be made as necessary to assure safe operation under prevailing conditions. Proper guards and other suitable safety devices or procedures as may be described or as may be specified in safety codes should be provided, and are neither provided by Baldor Electric Company nor are the responsibility of Baldor Electric Company. This unit and its associated equipment must be installed, adjusted and maintained by qualified personnel who are familiar with the construction and operation of all equipment in the system and the potential hazards involved. When risk to persons or property may be involved, a holding device must be an integral part of the driven equipment beyond the speed reducer output shaft.

Features / Benefits	
The New TORQUE-ARM II Reducer	2
Modular Accessories	4
Nomenclature	5
Easy Selection	7
Mechanical Power Ratings	8
Reducer Dimensions	10
Screw Conveyor Drive and Fan Dimensions	12
Article Numbers (P/N)	15
Motor Mount	27
Metric Belt Guards	29
Minimum V-Belt Pulley Diameters	31
Nominal Pulley Ratios	33
Output Torque Ratings	35
Thermal Power Ratings Without Fan	37
Thermal Power Ratings With Fan	39
Maximum Input and Output Speeds	41
Backstop Lift-Off Speeds	41
Thrust Capacity For Screw Conveyor Drives	42
Lubrication	
Oil Recommendations	43
Vent and Plug Locations	44
Oil Volumes	45

FEATURES/BENEFITS



DODGE Metric TORQUE-ARM II



DODGE Metric TORQUE-ARM II

1. Three large pry slots make rebuilding easy
2. Proven, case-carburised gear design ensures high efficiency; Class 1, 200% starting load capacity
3. Modular construction allows one reducer for shaft mount, screw conveyor, vertical and flange mounted applications
4. Metal reinforced, double-lip, spring-loaded oil seals protected by labyrinth metal shield and excluder lip auxiliary seal on all shafts
5. 100% Cast iron housing eliminates bearing cap leak paths and maximizes surface for heat dissipation
6. Two mounting systems; New short shaft twin tapered bushes and straight bore for maximum bore capacity
7. Heavy duty tapered roller bearings provide 25,000 hrs average (5,000 hrs L-10) life even in the heaviest of load conditions
8. Magnetic drain plug and filter air breather are standard
9. Extended gear centres and increased gear tooth contact provide dramatically increased torque/kW ratings, available in 5, 9, 15, 25 and 40:1 ratios

FEATURES/BENEFITS



DODGE Metric TORQUE-ARM II



New MODULAR MOTOR MOUNT can be adjusted up, down or mounted on the side depending on the customer's requirements



New CEMA BOLT-ON ADAPTER and SHAFTS are engineered to CEMA dimensions. Adapter features double-lip seals on both sealing surfaces.



New BOLT-ON BELT GUARD requires no drilling or straps



New BACKSTOP with a centrifugal throw-out design eliminates sprag sliding and reduces wear; it operates with standard and EP lubricants



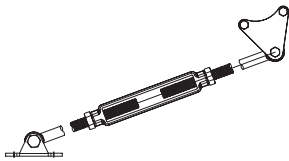
New TA ROD kit with brackets for universal mounting

Nomenclature - Basic TORQUE-ARM II Reducer TA1107H25M

Shaft Mounted Reducer Drive Accessories

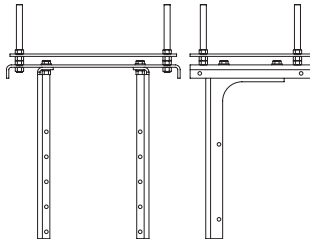
TA1107RA

TA1107 Rod Assembly



TA1107MM

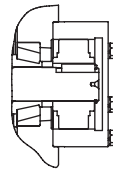
TA1107MM Motor Mount Assembly



Other Accessories

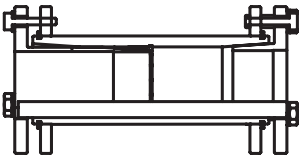
TA1107BS

Backstop Assembly



TA1107MTBS x 35

TA1107MTBS x 35 Twin Tapered Bushing Kit for Short Driven Shaft



TA - TORQUE-ARM II Shaft Mount Reducer

1 - Case Size 1

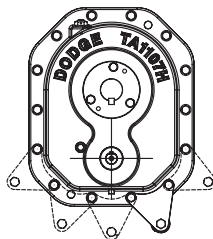
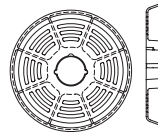
107 - AGMA Code reference & Traditional Bore Size

H - Heavy Duty Ratings & Extended Bore Size

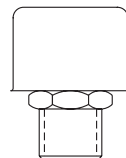
25 - Normal Reducer Ratio

TA4207CF

Cooling Fan Assembly



TA1-4 FB Kit
Filter Breather Kit

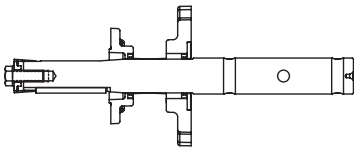


Nomenclature - Basic TORQUE-ARM II Reducer TA1107H25M

Screw Conveyor Drive Accessories

TA1107SCA

TA1107SCA Screw Conveyor Standard Adapter & Hardware Kit (does not include shaft)



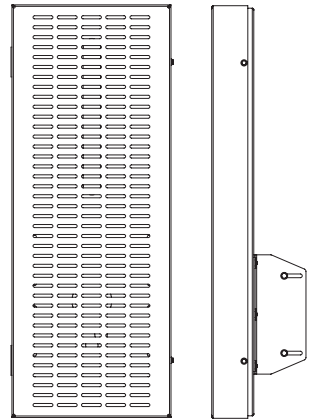
TA1107SCS x 1-7/16

TA1107SCS Screw Conveyor Drive Shaft x 1-7/16" Diameter



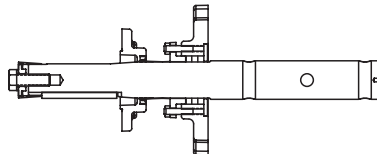
TA1107BG

TA1107BG Belt Guard



TA1107SCP Kit

TA1107SCP Screw Conveyor Adjustable Packing Kit (does not include shaft or adapter)



Shaft Mounted Speed Reducers - Easy Selection

Selection

The ratings on page 8 for TAIL Shaft Mount reducers are for electric motor selections up to 434 kW with output speeds up to 400 RPM. For extreme shock or high energy loads which must be absorbed, as when stalling, for a power source other than an electric motor, or for extreme ambient temperature or over-sized equipment, consult DODGE Application Engineering.

SELECTION PROCEDURE

1. Service Factor

From Table 1 select the service factor application to the drive

2. Design Power

Multiply the absorbed power (or motor power if absorbed power not known) by the service factor chosen in step 1.

NOTE:

Gear units are momentarily capable of transmitting twice (2x) the rated capacity on start or during operation.

3. Unit Selection

Using the value from step 2 refer to the power rating table on page 8 and select the correct size of unit.

The choice of single or double reduction gearbox will be determined by the output speed required. For the normal operating speeds for each of the gearboxes, see page 8 (power ratings).

4. Hollow Shaft Bore and Driven Shaft

Compare hollow shaft bore with the size of the driven shaft. All of the DODGE TA II Taper Bushed reducers require bushings to mount reducer to driven shaft. Refer to page 15 for available bushings or bores.

5. Check Thermal Ratings

Compare the absorbed or motor power from step 2 with the thermal power ratings from page 37 and 39 checking whether a cooling fan is required. If the application does not permit (or the customer does not want to use) a cooling fan, select a bigger size.

6. Check Dimensions

See page 17 for reducer dimensions, weights, part numbers and TORQUE-ARM

Rod mounting positions. See page 17 for reducer mounting positions.

7. Select a Belt Drive Arrangement

The reducer sheave P.D., Pitch Diameter, should not be smaller than the minimum sheave diameter shown on page 40. **Note:** Mount the sheave as close as possible to the reducer to minimize the effect of overhung load on the reducer. See DODGE Drives Components Catalogue (DMR-1204-2) to select sheaves, bushings and belts for the appropriate belt drive.

8. Select Accessories

See page 7 and 21 for Description and Part Numbers of: **Rod Assembly, Bush-**

ing Kit, Motor Mount, Cooling Fan, Backstop Assembly, Belt Guard, Screw Conveyor Adapter, Filter Breather, Drive Shaft, Adjustable Packing Kit, Vertical Breather Kit.

TABLE 1 - SERVICE FACTORS

Type of Driven Machine	Operational hours per day		
	Under 10	10 to 16	Over 16
Uniform Agitators And Mixers - Liquid or Semi-liquid Blowers - Centrifugal Bottling Machines Conveyors And Elevators - Uniformly Loaded Cookers Laundry Washing Machines - Non Reversing Line Shafts Pumps - Centrifugal and Gear Wire Drawing Machines	1,0	1,12	1,25
Moderate Shock Agitators And Mixers - Variable Density Conveyors - Not Uniformly Loaded Drawbench Feeders - Pulsating Load Kilns Laundry Tumblers Piston Pumps - With 3 or More Cylinders Pulp And Paper Making Machinery Rubber Mixers And Calendars Rotary Screens Textile Machinery	1,25	1,4	1,6
Heavy Shock Brick Presses Briquetting Machines Conveyors - Reciprocating and Shaker Crushers Feeders - Reciprocating Hammer Mills Piston Pumps - 1 or 2 Cylinders Rubber Masticators Vibrating Machines	1,6	1,8	2,0
Cranes - Travel Motion and Hoisting Hoists Lifts	Consult DODGE Application Engineering		

Mechanical Power Ratings (kW)*

Output RPM	TA0107L	TA1107H	TA2115H	TA3203H	TA4207H	TA5215H	TA6307H	TA7315H	TA8407H	TA9415H	TA10507H	TA12608H
31:1 to 40:1												
10	0,50	0,91	1,45	2,21	3,71	5,89	8,46	12,7	17,9	24,2	35,2	42,6
20	0,96	1,74	2,87	4,42	7,32	11,8	16,1	24,1	34,5	48,4	66,9	85,3
30	1,39	2,52	4,27	6,62	10,5	17,4	23,5	35,1	50,1	70,9	97,3	128
40	1,81	3,28	5,65	8,74	13,4	22,7	30,6	45,7	65,3	92,3	127	171
50	2,21	4,00	6,87	10,5	16,3	27,8	37,5	56,1	80,1	113	155	213
25:1												
10	0,50	0,91	1,45	2,21	3,71	5,89	8,46	12,7	17,9	24,2	35,2	42,6
20	0,96	1,73	2,89	4,42	7,32	11,8	16,1	24,1	34,5	48,4	66,6	85,0
30	1,39	2,52	4,34	6,62	10,5	17,4	23,5	35,1	50,1	70,9	94,3	128
40	1,81	3,28	5,65	8,74	13,4	22,7	30,6	45,7	65,3	91,9	122	170
50	2,21	4,00	6,87	10,5	16,3	27,8	37,5	56,1	80,1	113	146	213
60	2,61	4,72	8,01	12,3	19,0	32,9	44,3	66,2	94,5	134	170	255
70	3,00	5,42	9,05	14,0	21,7	37,8	50,9	76,1	109	154	193	298
80	3,38	6,11	9,93	15,6	24,3	42,6	57,4	85,8	123	173	217	327
15:1												
10	0,50	0,91	1,45	2,21	3,71	5,89	8,46	12,7	17,9	24,2	35,2	42,6
20	0,96	1,74	2,89	4,42	7,32	11,8	16,1	24,1	34,5	47,9	66,6	85,0
30	1,39	2,52	4,34	6,62	10,5	17,4	23,5	35,1	50,1	70,6	94,3	128
40	1,81	3,28	5,65	8,74	13,4	22,7	30,6	45,7	65,3	92,2	122	170
50	2,21	4,01	6,79	10,5	16,3	27,8	37,5	56,1	79,4	113	146	213
60	2,61	4,72	7,96	12,3	19,0	32,9	44,3	66,2	94,1	133	170	255
70	3,00	5,42	9,04	14,0	21,7	37,8	50,9	76,1	108	152	193	298
80	3,38	6,11	10,0	15,6	24,3	42,6	57,4	85,8	122	170	217	327
90	3,75	6,78	11,0	17,2	26,8	45,2	63,0	95,1	136	186	237	355
100	4,01	7,45	11,8	18,7	29,3	48,0	68,7	103	149	201	255	382
110	4,38	8,10	12,7	20,3	31,3	50,5	74,1	110	162	216	272	409
120	4,65	8,74	13,4	21,8	32,8	53,0	79,6	117	175	231	289	434
09:1												
80	3,38	6,11	10,0	15,5	23,6	39,6	57,0	84,3				
90	3,75	6,74	11,0	17,1	25,9	43,4	63,0	93,2				
100	4,12	7,34	11,8	18,7	28,1	47,2	68,7	102				
110	4,49	7,93	12,6	20,1	30,3	50,8	74,1	110				
120	4,85	8,50	13,3	21,6	32,4	54,1	79,6	117				
130	5,18	9,07	14,1	23,1	34,5	56,0	84,4	124				
140	5,45	9,62	14,8	24,4	36,6	57,7	89,0	130				
150	5,72	9,90	15,7	25,6	38,3	58,7	93,5	137				
160	5,99	10,3	16,5	26,8	39,8	59,6	97,5	143				
170	6,25	10,7	17,2	27,9	41,3	60,5	101	149				
180	6,50	11,1	18,0	28,6	42,6	61,4	104	153				
190	6,75	11,5	18,7	29,8	44,0	62,0	108	157				
200	7,00	11,9	19,5	30,9	45,2	62,7	110	162				

* See page 39 and 40 for reducer thermal power ratings

Mechanical Power Ratings (kW)*

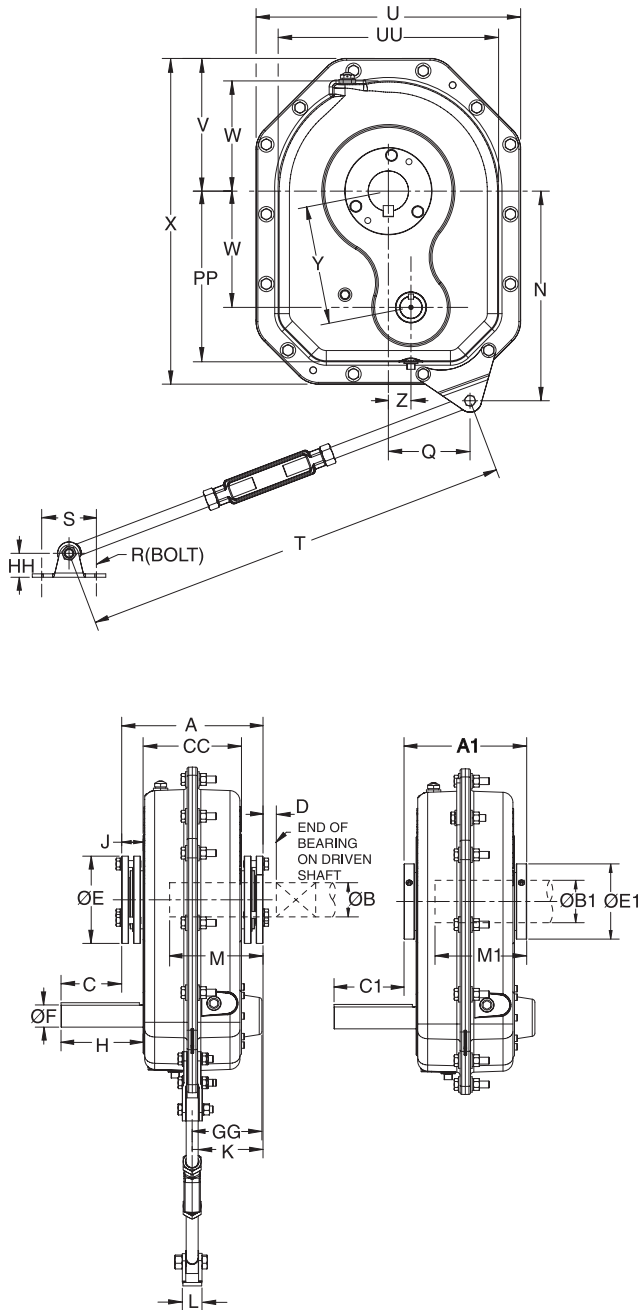
Output RPM	TA0107L	TA1107H	TA2115H	TA3203H	TA4207H	TA5215H	TA6307H	TA7315H	TA8407H	TA9415H	TA10507H	TA12608H
05:1												
90	3,84	6,29	8,15	14,2	15,2	35,8	51,5	66,6				
100	4,11	6,72	8,77	14,6	16,9	39,8	55,5	70,4				
110	4,36	7,13	9,40	15,2	18,6	41,3	58,9	74,2				
120	4,60	7,53	10,1	15,7	20,3	42,9	62,2	78,0				
130	4,84	7,90	10,5	16,4	21,9	44,6	65,7	81,7				
140	5,06	8,24	11,0	17,1	23,6	46,5	69,1	85,5				
150	5,29	8,57	11,5	17,8	25,3	48,6	72,5	89,2				
160	5,51	8,93	12,0	18,4	27,0	49,8	75,5	92,9				
170	5,73	9,26	12,4	19,1	28,5	51,0	78,6	96,6				
180	5,94	9,60	12,9	19,8	29,6	52,5	81,7	100				
190	6,15	9,89	13,2	20,5	30,7	53,7	84,7	104				
200	6,36	10,2	13,7	21,3	31,8	55,0	87,7	108				
210	6,51	10,5	13,9	22,0	33,1	56,1	89,9	111				
220	6,67	10,7	14,3	22,7	34,3	57,0	92,0	114				
230	6,82	11,0	14,6	23,4	35,6	58,0	94,2	117				
240	6,96	11,2	15,0	24,1	37,1	59,0	96,4	121				
250	7,10	11,5	15,2	24,7	37,9	60,0	98,5	124				
260	7,24	11,7	15,7	25,4	38,6	60,6	101	127				
270	7,37	12,0	15,9	26,1	39,5	61,6	103	130				
280	7,50	12,2	16,0	26,7	40,2	62,5	106	133				
290	7,63	12,5	16,2	27,4	41,0	63,1	108	136				
300	7,76	12,7	16,6	28,1	41,8	64,0	111	140				
310	7,87	12,9	16,8	28,8	42,4	65,0	113	143				
320	7,99	13,1	16,9	29,5	43,2	66,0	115	146				
330	8,10	13,3	17,0	30,2	43,8	67,0	117	149				
340	8,18	13,5	17,2	30,8	44,4	67,7	119	152				
350	8,25	13,8	17,5	31,4	45,1	68,6	121	154				
360	8,32	14,0	17,6	32,0	45,8	69,7	123	155				
370	8,40	14,2	17,7	32,6	46,4	70,7	124	157				
380	8,47	14,4	17,8	33,2	47,1	71,3	126	159				
390	8,54	14,6	17,9	33,8	47,4	72,4	127	160				
400	8,61	14,8	17,9	34,4	47,6	73,4	129	162				

* See page 39 and 40 for reducer thermal power ratings

DIMENSIONS



Reducer - Drawings



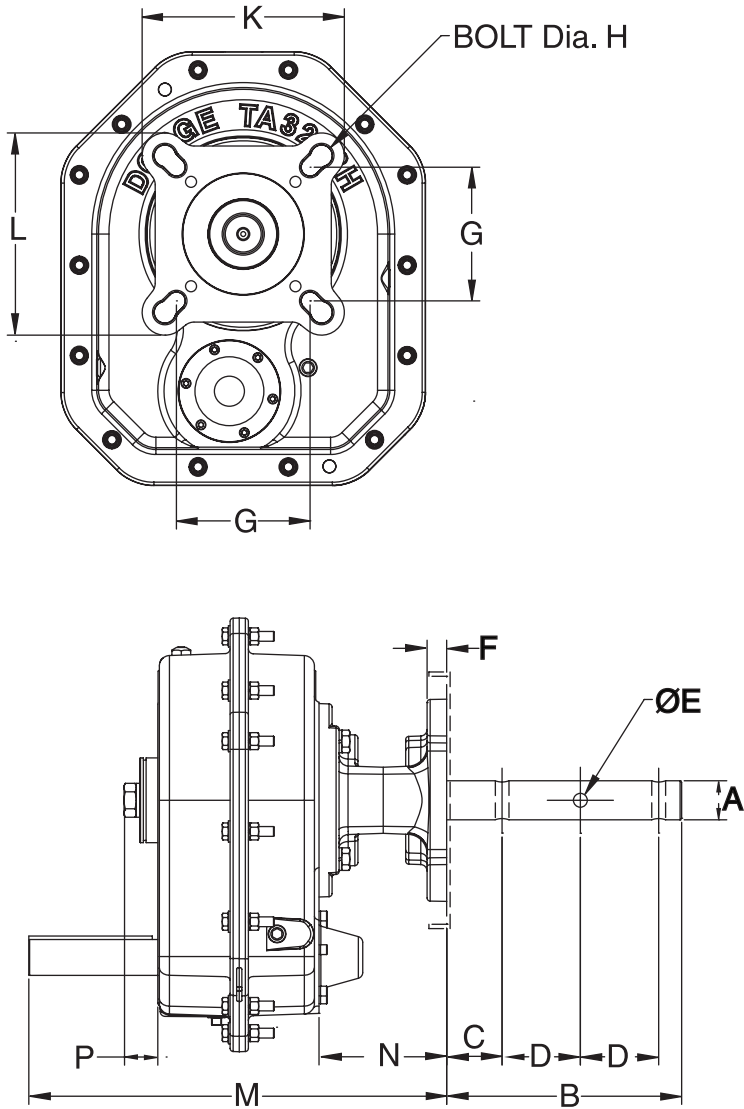
Reducer Dimensions (mm)

Size	A	A1	Max Bore		Input Shaft													
			Bushed (B)	Straight (B1) (3)	C	C1	D	E	E1	Dia (F)	Key	H	J	K	L	M	M1	N
TA0107L	173	150	30	40	67	78	30	83	82	25h8	8x7x85	93	26	87	27	110	131	198
TA1107H	177	148	35	45	64	78	30	95	89	25h8	8x7x85	92	28	88	27	113	129	223
TA2115H	198	165	50	55	68	85	36	111	105	28h8 ⁽¹⁾	8x7x90 ⁽¹⁾	100	32	99	32	122	146	244
TA3203H	219	193	55	65	97	110	36	124	114	32h8 ⁽²⁾	10x8x110 ⁽²⁾	125	30	110	32	139	167	274
TA4207H	227	204	65	75	98	109	36	140	127	35h8	10x8x110	128	33	114	37	144	172	332
TA5215H	263	228	75	85	113	130	48	162	140	38h8	10x8x140	152	40	131	37	161	196	389
TA6307H	275	239	85	100	146	165	48	165	146	48h8	14x9x150	161	41	138	70	171	207	418
TA7315H	301	270	100	120	142	158	53	197	178	60h8	18x11x150	165	47	151	102	194	232	511
TA8407H	325	294	110	120	155	170	53	203	178	60h8	18x11x170	183	47	163	102	206	256	511
TA9415H	349	311	125	125	180	199	60	235	203	60h8	18x11x200	216	52	175	125	217	270	620
TA10507H	393	355	130	150	181	200	60	260	229	65h8	18x11x200	221	52	197	125	246	299	769
TA12608H	465	425	160	190	182	203	60	292	254	65h8	18x11x200	220	53	233	132	295	355	831

Size	P	P1	Q	Bolt R	S	T		U	V	W	X	Y	Z	CC	GG	HH	PP	UU	VV
						Min	Max												
TA0107L	92	94	78	M10	63,5	610	762	240	120	87	288	89,7	23	121	93	24	138	181	90
TA1107H	107	94	83	M10	63,5	610	762	275	137	114	331	114,1	0	119	102	24	165	219	110
TA2115H	114	94	92	M10	76,2	686	838	320	160	138	383	138,4	0	135	110	27	192	259	130
TA3203H	125	100	105	M10	76,2	686	838	355	177	153	422	153,4	14	157	120	27	210	286	143
TA4207H	128	105	121	M12	101,6	737	889	422	211	186	512	187,5	26	161	123	45	263	346	173
TA5215H	135	125	152	M12	101,6	737	889	492	246	216	605	220,0	42	183	129	45	317	409	205
TA6307H	144	145	155	M16	120,7	749	902	522	261	233	641	237,2	45	194	137	51	339	441	221
TA7315H	178	165	183	M20	178,6	762	914	597	299	229	786	264,2	131	208	167	80	434	492	246
TA8407H	181	160	183	M20	178,6	762	914	598	299	235	786	267,5	129	232	175	80	434	492	246
TA9415H	223	165	102	M24	215,1	775	934	673	336	285	867	309,1	120	246	213	86	483	574	287
TA10507H	223	180	127	M24	215,1	775	934	739	370	505	1036	505,2	0	289	214	86	612	631	316
TA12608H	279	210	127	M24	227,8	787	940	765	382	550	1111	550,2	0	359	267	89	674	656	328

- (1) Input shaft diameter and key for 33:1 ratio TA2115H is 25h8 and 8x7x90
- (2) Input shaft diameter and key for 32:1 ratio TA3203H is 28h8 and 8x7x110
- (3) Straight bore tolerance is F9

Screw Conveyor - Drawing



Screw Conveyor Drive Dimensions in inches (in mm)

Reducer	Screw Dia	Drive Shaft Dia A	Dimensions							K x L
			B	C	D	Hole Dia E	F	G	Bolt Dia H	
TA0107L	6, 9	1-1/2 (38, 10)	9 (229)	2,13 (54)	3 (76)	17/32 (13, 49)	0,75 (19)	4 (102)	1/2-13	7,75x7,74 (197x197)
	9, 12	2 (50, 80)	9 (229)	2,13 (54)	3 (76)	21/32 (16,67)	0,75 (19)	5,13 (130)	5/8	
	12, 14	2-7/16 (61, 91)	9,69 (246)	2,75 (70)	3 (76)	21/32 (16,67)	0,75 (19)	5,63 (143)	5/8	
	12, 14, 16, 18, 20	3 (76, 20)	9,88 (251)	2,88 (73)	3 (76)	25/32 (19, 84)	0,75 (19)	6 (152)	3/4	
TA1107H	6, 9	1-1/2 (38, 10)	9 (229)	2,13 (54)	3 (76)	17/32 (13, 49)	0,75 (19)	4 (102)	1/2-13	7,75x7,75 (197x197)
	9, 12	2 (50, 80)	9 (229)	2,13 (54)	3 (76)	21/32 (16,67)	0,75 (19)	5,13 (130)	5/8	
	12, 14	2-7/16 (61, 91)	9,69 (246)	2,75 (70)	3 (76)	21/32 (16,67)	0,75 (19)	5,63 (143)	5/8	
	12, 14, 16, 18, 20	3 (76, 20)	9,88 (251)	2,88 (73)	3 (76)	25/32 (19, 84)	0,75 (19)	6 (152)	3/4	
TA2115H	6, 9	1-1/2 (38, 10)	9 (229)	2,13 (54)	3 (76)	17/32 (13, 49)	0,75 (19)	4 (102)	1/2-13	7,75x7,75 (197x197)
	9, 12	2 (50, 80)	9 (229)	2,13 (54)	3 (76)	21/32 (16,67)	0,75 (19)	5,13 (130)	5/8	
	12, 14	2-7/16 (61, 91)	9,69 (246)	2,75 (70)	3 (76)	21/32 (16,67)	0,75 (19)	5,63 (143)	5/8	
	12, 14, 16, 18, 20	3 (76, 20)	9,88 (251)	2,88 (73)	3 (76)	25/32 (19, 84)	0,75 (19)	6 (152)	3/4	
TA3203H	6, 9	1-1/2 (38, 10)	9 (229)	2,13 (54)	3 (76)	17/32 (13, 49)	0,75 (19)	4 (102)	1/2-13	7,75x7,75 (197x197)
	9, 12	2 (50, 80)	9 (229)	2,13 (54)	3 (76)	21/32 (16,67)	0,75 (19)	5,13 (130)	5/8	
	12, 14	2-7/16 (61, 91)	9,69 (246)	2,75 (70)	3 (76)	21/32 (16,67)	0,75 (19)	5,63 (143)	5/8	
	12, 14, 16, 18, 20	3 (76, 20)	9,88 (251)	2,88 (73)	3 (76)	25/32 (19, 84)	0,75 (19)	6 (152)	3/4	
TA4207H	9, 12	2 (50, 80)	9 (229)	2,13 (54)	3 (76)	21/32 (16,67)	0,75 (19)	5,13 (130)	5/8	9,25x9,25 (235x235)
	12, 14	2-7/16 (61, 91)	9,69 (246)	2,75 (70)	3 (76)	21/32 (16,67)	0,75 (19)	5,63 (143)	5/8	
	12, 14, 16, 18, 20	3 (76, 20)	9,88 (251)	2,88 (73)	3 (76)	25/32 (19, 84)	0,75 (19)	6 (152)	3/4	
	18, 20, 24	3-7/16 (87, 31)	13,13 (334)	3,88 (99)	4 (102)	29/32 (23, 02)	0,75 (19)	6,75 (171)	3/4	
TA5215H	9, 12	2 (50, 80)	9 (229)	2,13 (54)	3 (76)	21/32 (16,67)	0,75 (19)	5,13 (130)	5/8	9,25x9,25 (235x235)
	12, 14	2-7/16 (61, 91)	9,69 (246)	2,75 (70)	3 (76)	21/32 (16,67)	0,75 (19)	5,63 (143)	5/8	
	12, 14, 16, 18, 20	3 (76, 20)	9,88 (251)	2,88 (73)	3 (76)	25/32 (19, 84)	0,75 (19)	6 (152)	3/4	
	18, 20, 24	3-7/16 (87, 31)	13,13 (334)	3,88 (99)	4 (102)	29/32 (23, 02)	0,75 (19)	6,75 (171)	3/4	
TA6307H	12, 14	2-7/16 (61, 91)	9,69 (246)	2,75 (70)	3 (76)	21/32 (16,67)	0,75 (19)	5,63 (143)	5/8	9,25x9,25 (235x235)
	12, 14, 16, 18, 20	3 (76, 20)	9,88 (251)	2,88 (73)	3 (76)	25/32 (19, 84)	0,75 (19)	6 (152)	3/4	
	18, 20, 24	3-7/16 (87, 31)	13,13 (334)	3,88 (99)	4 (102)	29/32 (23, 02)	0,75 (19)	6,75 (171)	3/4	
	12, 14	2-7/16 (61, 91)	9,69 (246)	2,75 (70)	3 (76)	21/32 (16,67)	0,75 (19)	5,63 (143)	5/8	
TA7315H	12, 14, 16, 18, 20	3 (76, 20)	9,88 (251)	2,88 (73)	3 (76)	25/32 (19, 84)	0,75 (19)	6 (152)	3/4	10,50x9,25 (267x235)
	18, 20, 24	3-7/16 (87, 31)	13,13 (334)	3,88 (99)	4 (102)	29/32 (23, 02)	0,75 (19)	6,75 (171)	3/4	

DIMENSIONS

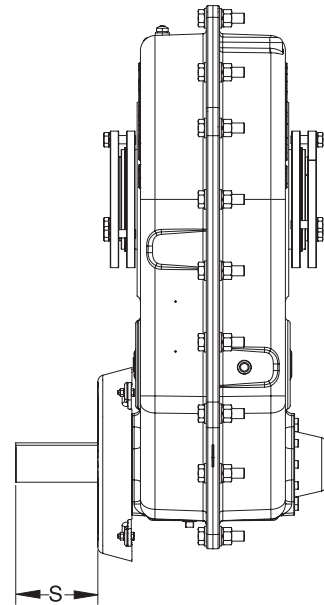
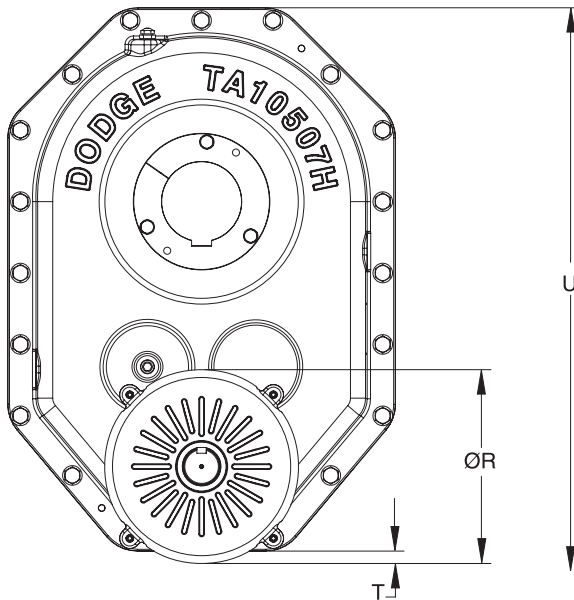


Screw Conveyor - Drawing

Reducer Size	Dimensions		
	M	N	P
TA0107L	13,04 (331)	4,89 (124)	1,11 (28)
TA1107H	12,80 (325)	4,46 (113)	1,15 (29)
TA2115H	14,07 (357)	4,83 (123)	1,23 (31)
TA3203H	16,01 (407)	4,89 (124)	1,27 (32)
TA4207H	16,87 (429)	5,52 (140)	1,36 (35)
TA5215H	18,94 (481)	5,75 (146)	1,54 (39)
TA6307H	20,76 (527)	5,95 (151)	0,69 (18)
TA7315H	21,60 (549)	5,75 (146)	0,97 (25)

Cooling Fan Dimension in mm

Reducer Size	R Dia,	S	T	U
TA4207H	229	96	-	-
TA5215H	273	118	-	-
TA6307H	301	102	4	644
TA7315H	301	104	-	-
TA8407H	301	122	-	-
TA9415H	370	152	-	-
TA10507H	370	156	24	1060
TA12608H	370	156	6	1117



Part Numbers

TA0107L-M

Reducer				
Description	Part No	Ref, Code	Actual Ratio	Weight kg
Twin Tapered Reducer				
TA0107L05M Metric Taper Bush Red	900009	B	5,2	18,0
TA0107L09M Metric Taper Bush Red	900008	B	9,0	18,7
TA0107L15M Metric Taper Bush Red	900007	B	14,9	18,6
TA0107L25M Metric Taper Bush Red	900006	B	25,1	18,7
TA0107L31M Metric Taper Bush Red	900005	B	30,9	18,7
Straight Hub Reducer				
TA0107L05MS x 40 mm Str Bore Red	900014	B	5,2	18,7
TA0107L09MS x 40 mm Str Bore Red	900013	B	9,0	19,4
TA0107L15MS x 40 mm Str Bore Red	900012	B	14,9	19,3
TA0107L25MS x 40 mm Str Bore Red	900011	B	25,1	19,4
TA0107L31MS x 40 mm Str Bore Red	900010	B	30,9	19,4

Bushes			
Description	Part No	Shaft Keyseat required	Weight kg
Twin Tapered			
TA0107MTBS x 25 mm SS Tpr Bu Kit	900035	8 x 4 x 110	1,2
TA0107MTBS x 30 mm SS Tpr Bu Kit	900034	8 x 4 x 110	1,0
Straight			
Max Bore TA0107L-M x 40 mm		12 x 7 x 148	0,0

Accessories		
Description	Ref, Code	Weight kg
TA0107RA TA Rod Assembly	900109	2,0
TA0107HMM IEC Motor Mount Assy	900092	16,1
TA1107H/0107L BS Backstop Assy	901102	1,8
TA0107BG Belt Guard - Pos, B	900096	18,5
TA0107BG Belt Guard - Pos, C	900097	19,2
TA0-TA3 Vertical Breather Kit	900112	0,9
Screw Conveyor Drive		
TA0107SCA Adapter & Hdwr Kit	900070	6,7
TA0107SCP Adjustable Packing Kit	900071	0,4
TA0107SCS x 1-1/2 Drive Shaft	900072	4,0
TA0107SCS x 2 Drive Shaft	900073	5,5
TA0107SCS x 2-7/16 Drive Shaft	900074	7,5
TA0107SCS x 3 Drive Shaft	900075	10,4

Part Numbers

TA1107H-M

Reducer				
Description	Part No	Ref. Code	Actual Ratio	Weight kg
Twin Tapered Reducer				
TA1107H05M Metric Taper Bush Redr	901009	C	5,0	25,2
TA1107H09M Metric Taper Bush Redr	901008	C	9,0	25,8
TA1107H15M Metric Taper Bush Redr	901007	C	14,9	25,8
TA1107H25M Metric Taper Bush Redr	901006	C	25,1	25,8
TA1107H31M Metric Taper Bush Redr	901005	C	30,9	25,8
Straight Hub Reducer				
TA1107H05MS x 45 mm Str Bore Red	901014	C	5,0	25,7
TA1107H09MS x 45 mm Str Bore Red	901013	C	9,0	26,4
TA1107H15MS x 45 mm Str Bore Red	901012	C	14,9	26,3
TA1107H25MS x 45 mm Str Bore Red	901011	C	25,1	26,3
TA1107H31MS x 45 mm Str Bore Red	901010	C	30,9	26,4

Description	Part No	Shaft Keyseat required	Weight kg
Twin Tapered			
TA1107MTBS x 30 mm Tpr Bush Kit	901052	8 x 4 x 113	2,0
TA1107MTBS x 32 mm Tpr Bush Kit	901051	10 x 5 x 113	1,9
TA1107MTBS x 35 mm Tpr Bush Kit	901050	10 x 5 x 113	1,8
Straight			
Max Bore TA1107H-M x 45 mm		14 x 7 x 148	

Accessories		
Description	Part No	Weight kg
TA1107RA TA Rod Assembly	901109	2,0
TA0107HMM IEC Motor Mount Assy	900092	17,9
TA1107H/0107L BS Backstop Assy	901102	1,8
TA0107BG Belt Guard - Pos, B	900096	18,5
TA0107BG Belt Guard - Pos, C	900097	19,6
TA0-TA3 Vertical Breather Kit	900112	0,9
Screw Conveyor Drive		
TA0107SCA Adapter & Hdwr Kit	900070	6,9
TA0107SCP Adjustable Packing Kit	900071	0,4
TA0107SCS x 1-1/2 Drive Shaft	900072	4,7
TA0107SCS x 2 Drive Shaft	900073	6,1
TA0107SCS x 2-7/16 Drive Shaft	900074	8,2
TA0107SCS x 3 Drive Shaft	900075	11,1

Part Numbers

TA2115H-M

Reducer				
Description	Part No	Ref, Code	Actual Ratio	Weight kg
Twin Tapered Reducer				
TA2115H05M Metric Taper Bush Red	902009	D	5,2	38,2
TA2115H09M Metric Taper Bush Red	902008	D	9,1	39,3
TA2115H15M Metric Taper Bush Red	902007	D	15,6	39,2
TA2115H25M Metric Taper Bush Red	902006	D	25,1	39,1
TA2115H33M Metric Taper Bush Red	902005	D	33,3	39,0
Straight Hub Reducer				
TA2115H05MS x 55 mm Str Bore Red	902014	D	5,2	39,2
TA2115H09MS x 55 mm Str Bore Red	902013	D	9,1	40,2
TA2115H15MS x 55 mm Str Bore Red	902012	D	15,6	40,1
TA2115H25MS x 55 mm Str Bore Red	902011	D	25,1	40,1
TA2115H33MS x 55 mm Str Bore Red	902010	D	33,3	39,9

Twin Tapered Bushes			
Description	Part No	Shaft Keyseat required	Weight kg
Twin Tapered			
TA2115MTBS x 35 mm Tpr Bush Kit	902055	10 x 5 x 122	3,5
TA2115MTBS x 38 mm Tpr Bush Kit	902054	10 x 5 x 122	3,3
TA2115MTBS x 40 mm Tpr Bush Kit	902053	12 x 5 x 122	3,2
TA2115MTBS x 42 mm Tpr Bush Kit	902052	12 x 5 x 122	3,0
TA2115MTBS x 45 mm Tpr Bush Kit	902051	14 x 5,5 x 122	2,9
TA2115MTBS x 50 mm Tpr Bush Kit	902050	14 x 5,5 x 122	2,5
Straight			
Max Bore TA2115H-M x 55 mm		16 x 10 x 165	

Accessories		
Description	Part No	Weight kg
TA2115RA TA Rod Assembly	902109	3,1
TA2115MM IEC Motor Mount Assy	902092	24,0
TA2115BS Backstop Assembly	902102	1,8
TA2115BG Belt Guard - Pos, B	902096	21,7
TA2115BG Belt Guard - Pos, C	902097	23,7
TA0-TA3 Vertical Breather Kit	900112	0,9
Screw Conveyor Drive		
TA2115SCA Adapter & Hdwr Kit	902070	8,7
TA2115SCP Adjustable Packing Kit	902071	0,5
TA2115SCS x 1-1/2 Drive Shaft	902072	7,0
TA2115SCS x 2 Drive Shaft	902073	8,5
TA2115SCS x 2-7/16 Drive Shaft	902074	10,6
TA2115SCS x 3 Drive Shaft	902075	13,4

Part Numbers

TA3203H-M

Reducer				
Description	Part No	Ref. Code	Actual Ratio	Weight kg
Twin Tapered Reducer				
TA3203H05M Metric Taper Bush Red	903009	E	4,9	48,9
TA3203H09M Metric Taper Bush Red	903008	E	9,2	50,7
TA3203H15M Metric Taper Bush Red	903007	E	15,1	50,6
TA3203H25M Metric Taper Bush Red	903006	E	25,0	50,5
TA3203H32M Metric Taper Bush Red	903005	E	32,5	50,1
Straight Hub Reducer				
TA3203H05MS x 65 mm Str Bore Red	903014	E	4,9	49,6
TA3203H09MS x 65 mm Str Bore Red	903013	E	9,2	51,5
TA3203H15MS x 65 mm Str Bore Red	903012	E	15,1	51,4
TA3203H25MS x 65 mm Str Bore Red	903011	E	25,0	51,3
TA3203H32MS x 65 mm Str Bore Red	903010	E	32,5	50,9

Accessories		
Description Désignation	Part No	Weight kg
TA3203RA TA Rod Assembly	903109	3,1
TA3203MM IEC Motor Mount Assy	903092	39,6
TA3203BS Backstop Assembly	903102	2,1
TA3203BG Belt Guard - Pos, B	903096	29,8
TA3203BG Belt Guard - Pos, C	903097	30,9
TA0-TA3 Vertical Breather Kit	900112	0,9
For Screw Conveyor Drive		
TA3203SCA Adapter & Hardware Kit	903070	10,0
TA3203SCP Adjustable Packing Kit	903071	0,6
TA3203SCS x 1-1/2 Drive Shaft	903072	8,8
TA3203SCS x 2 Drive Shaft	903073	10,3
TA3203SCS x 2-7/16 Drive Shaft	903074	12,4
TA3203SCS x 3 Drive Shaft	903075	15,3

Bushes			
Description	Part No	Shaft Keyseat required	Weight kg
Twin Tapered			
TA3203MTBS x 35 mm Tpr Bush Kit	903056	10 x 5 x 139	4,8
TA3203MTBS x 38 mm Tpr Bush Kit	903055	10 x 5 x 139	4,6
TA3203MTBS x 40 mm Tpr Bush Kit	903054	12 x 5 x 139	4,5
TA3203MTBS x 42 mm Tpr Bush Kit	903053	12 x 5 x 139	4,3
TA3203MTBS x 45 mm Tpr Bush Kit	903052	14 x 5,5 x 139	4,1
TA3203MTBS x 50 mm Tpr Bush Kit	903051	14 x 5,5 x 139	3,7
TA3203MTBS x 55 mm Tpr Bush Kit	903050	16 x 6 x 139	3,2
Straight Hub Reducer			
Max Bore TA3203H-M x 65mm		18 x 10 x 192	

Part Numbers

TA4207H-M

Reducer				
Description	Part No	Ref, Code	Actual Ratio	Weight kg
Twin Tapered Reducer				
TA4207H05M Metric Taper Bush Red	904009	F	5,0	81,1
TA4207H09M Metric Taper Bush Red	904008	F	9,2	85,0
TA4207H15M Metric Taper Bush Red	904007	F	15,0	84,8
TA4207H25M Metric Taper Bush Red	904006	F	25,1	84,5
TA4207H40M Metric Taper Bush Red	904005	F	39,1	84,2
Straight Hub Reducer				
TA4207H05MS x 70 mm Str Bore Red	904014	F	5,0	82,7
TA4207H09MS x 70 mm Str Bore Red	904013	F	9,2	86,7
TA4207H15MS x 70 mm Str Bore Red	904012	F	15,0	86,5
TA4207H25MS x 70 mm Str Bore Red	904011	F	25,1	86,2
TA4207H40MS x 70 mm Str Bore Red	904010	F	39,1	85,9

Twin Tapered Bushes			
Description	Part No	Shaft Keyseat required	Weight kg
Twin Tapered			
TA4207MTBS x 42 mm SS Tpr Bu Kit	904054	12 x 5 x 144	7,1
TA4207MTBS x 45 mm SS Tpr Bu Kit	904053	14 x 5,5 x 144	6,9
TA4207MTBS x 50 mm SS Tpr Bu Kit	904052	14 x 5,5 x 144	6,4
TA4207MTBS x 55 mm SS Tpr Bu Kit	904051	16 x 6 x 144	5,9
TA4207MTBS x 60 mm SS Tpr Bu Kit	904050	18 x 7 x 144	5,4
TA4207MTBS x 65 mm SS Tpr Bu Kit	904049	18 x 7 x 144	4,7
Straight			
Max Bore TA4207H-M x 75 mm		20 x 11 x 203	

Accessories		
Description	Part No	Weight kg
TA4207RA TA Rod Assembly	904109	4,8
TA4207MM IEC Motor Mount Assy	904092	52,0
TA4207CF Metric Cooling Fan Assy	904107	0,9
TA4207BS Backstop Assembly	904102	2,4
TA4207BS 40:1 Backstop Assembly	904103	2,4
TA4207BG Belt Guard - Pos, B	904096	36,2
TA4207BG Belt Guard - Pos, C	904097	37,6
TA4-TA12 Vertical Breather Kit	904112	1,4
For Screw Conveyor Drive		
TA4207SCA Adapter & Hdwr Kit	904070	15,3
TA4207 SCP Adjustable Packing Kit	904071	1,0
TA4207SCS x 2 Drive Shaft	904073	13,5
TA4207SCS x 2-7/16 Drive Shaft	904074	15,7
TA4207SCS x 3 Drive Shaft	904075	18,6
TA4207SCS x 3-7/16 Drive Shaft	904076	24,9

Part Numbers

TA5215H-M

Reducer				
Description	Part No	Ref. Code	Actual Ratio	Weight kg
Twin Tapered Reducer				
TA5215H05M Metric Taper Bush Red	905009	G	5,1	117,9
TA5215H09M Metric Taper Bush Red	905008	G	9,2	124,5
TA5215H15M Metric Taper Bush Red	905007	G	14,9	124,3
TA5215H25M Metric Taper Bush Redr	905006	G	25,0	123,8
TA5215H40M Metric Taper Bush Red	905005	G	38,9	123,5
Straight Hub Reducer				
TA5215H05MS x 85 mm Str Bore Red	905014	G	5,1	119,3
TA5215H09MS x 85 mm Str Bore Red	905013	G	9,2	125,9
TA5215H15MS x 85 mm Str Bore Red	905012	G	14,9	125,7
TA5215H25MS x 85 mm Str Bore Red	905011	G	25,0	125,2
TA5215H40MS x 85 mm Str Bore Red	905010	G	38,9	124,9

Twin Tapered Bushes			
Description	Part No	Shaft Keyseat required	Weight kg
TA5215MTBS x 50 mm SS Tpr Bu Kit	905056	14 x 5,5 x 162	10,5
TA5215MTBS x 55 mm SS Tpr Bu Kit	905055	16 x 6 x 162	10,0
TA5215MTBS x 60 mm SS Tpr Bu Kit	905054	18 x 7 x 162	9,9
TA5215MTBS x 65 mm SS Tpr Bu Kit	905053	18 x 7 x 162	8,6
TA5215MTBS x 70 mm SS Tpr Bu Kit	905052	20 x 7,5 x 162	7,9
TA5215MTBS x 75 mm SS Tpr Bu Kit	905051	20 x 7,5 x 162	7,2
Straight			
Max Bore TA5215H-M x 85 mm		22 x 14 x 227	

Accessories		
Description	Part No	Weight kg
TA5215RA TA Rod Assembly	905109	5,0
TA5215MM IEC Motor Mount Assy	905092	55,7
TA5215CF Metric Cooling Fan Assy	905107	1,4
TA5215BS Backstop Assembly	905102	3,8
TA5215BS 40:1 Backstop Assembly	905103	3,8
TA5215BG Belt Guard - Pos, B	905096	46,1
TA5215BG Belt Guard - Pos, C	905097	48,0
TA4-TA12 Vertical Breather Kit	904112	1,4
For Screw Conveyor Drive		
TA5215SCA Adapter & Hdwr Kit	905070	17,5
TA5215SCP Adjustable Packing Kit	905071	1,0
TA5215SCS x 2 Drive Shaft	905073	17,7
TA5215SCS x 2-7/16 Drive Shaft	905074	19,8
TA5215SCS x 3 Drive Shaft	905075	22,7
TA5215SCS x 3-7/16 Drive Shaft	905076	29,0

DIMENSIONS



Part Numbers

TA6307H-M

Reducer				
Description	Part No	Ref. Code	Actual Ratio	Weight kg
Twin Tapered Reducer				
TA6307H05M Metric Taper Bush Red	906009	H	4,9	142,7
TA6307H09M Metric Taper Bush Red	906008	H	9,2	150,9
TA6307H15M Metric Taper Bush Red	906007	H	15,5	150,5
TA6307H25M Metric Taper Bush Red	906006	H	24,9	149,5
TA6307H40M Metric Taper Bush Red	906005	H	38,3	149,1
Straight Hub Reducer				
TA6307H05MS x 100 mm Str Br Red	906014	H	4,9	143,6
TA6307H09MS x 100 mm Str Br Red	906013	H	9,2	151,8
TA6307H15MS x 100 mm Str Br Red	906012	H	15,5	151,4
TA6307H25MS x 100 mm Str Br Red	906011	H	24,9	150,5
TA6307H40MS x 100 mm Str Br Red	906010	H	38,3	150,0

Bushes			
Description	Part No	Shaft Keyseat required	Weight kg
TA6307MTBS x 60 mm SS Tpr Bu Kit	906054	18 x 7 x 171	12,0
TA6307MTBS x 65 mm SS Tpr Bu Kit	906053	18 x 7 x 171	10,9
TA6307MTBS x 70 mm SS Tpr Bu Kit	906052	20 x 7,5 x 171	10,5
TA6307MTBS x 75 mm SS Tpr Bu Kit	906051	20 x 7,5 x 171	9,6
TA6307MTBS x 80 mm SS Tpr Bu Kit	906050	22 x 9 x 171	8,8
TA6307MTBS x 85 mm SS Tpr Bu Kit	906049	22 x 9 x 171	7,8
Straight			
Max Bore TA6307H-M x 100 mm		28 x 11,4 x 238	

Accessories		
Description	Part No	Weight kg
TA6307RA TA Rod Assembly	906109	9,1
TA6307MM IEC Motor Mount Assy	906092	72,2
TA6307CF Metric Cooling Fan Assy	906107	4,5
TA6307BS Backstop Assembly	906102	5,0
TA6307BS 25 & 40:1 Backstop Assy	906103	5,0
TA6307BG Belt Guard - Pos, B	906096	55,1
TA6307BG Belt Guard - Pos, C	906097	58,8
TA4-TA12 Vertical Breather Kit	904112	1,4
For Screw Conveyor Drive		
TA6307SCA Adapter & Hdwr Kit	906070	18,2
TA6307SCP Adjustable Packing Kit	906071	1,1
TA6307SCS x 2-7/16 Drive Shaft	906074	24,8
TA6307SCS x 3 Drive Shaft	906075	27,7
TA6307SCS x 3-7/16 Drive Shaft	906076	34,0

Part Numbers

TA7315H-M

Reducer				
Description	Part No	Ref, Code	Actual Ratio	Weight kg
Twin Tapered Reducer				
TA7315H09M Metric Taper Bush Red	907008	J	9,7	224,5
TA7315H15M Metric Taper Bush Red	907007	J	14,9	224,1
TA7315H25M Metric Taper Bush Red	907006	J	24,8	224,5
TA7315H40M Metric Taper Bush Red	907005	J	39,7	223,6
Straight Hub Reducer				
TA7315H05MS x 120 mm Str Bore Red	907014	J	5,2	206,8
TA7315H09MS x 120 mm Str Bore Red	907013	J	9,7	227,3
TA7315H15MS x 120 mm Str Bore Red	907012	J	14,9	226,8
TA7315H25MS x 120 mm Str Bore Red	907011	J	24,8	227,3
TA7315H40MS x 120 mm Str Bore Red	907010	J	39,7	226,4

Twin Tapered Bushes			
Description	Part No	Shaft Keyseat required	Weight kg
TA7315MTBS x 65 mm SS Tpr Bu Kit	907056	18 x 7 x 194	19,5
TA7315MTBS x 70 mm SS Tpr Bu Kit	907055	20 x 7,5 x 194	18,7
TA7315MTBS x 75 mm SS Tpr Bu Kit	907054	20 x 7,5 x 194	17,7
TA7315MTBS x 80 mm SS Tpr Bu Kit	907053	22 x 9 x 194	16,8
TA7315MTBS x 85 mm SS Tpr Bu Kit	907052	22 x 9 x 194	15,7
TA7315MTBS x 90 mm SS Tpr Bu Kit	907051	25 x 9 x 194	14,8
TA7315MTBS x 95 mm SS Tpr Bu Kit	907050	25 x 9 x 194	13,5
TA7315MTBS x 100 mm SS Tpr Bu Kit	907049	28 x 10 x 194	12,3
Straight Hub Reducer			
Max Bore TA7315H-M x 120 mm		32 x 15 x 269	

Accessories		
Description	Part No	Weight kg
TA7315/8407RA TA Rod Assembly	907109	19,6
TA7315/8407MM IEC Motor Mt Assy	907092	83,8
TA7315/8407CF Metric Fan Assy	907107	4,5
TA7315BS Backstop Assembly	907102	9,1
TA7315/9415BS 40:1 Backstop Assy	907103	9,5
TA7315/8407BG Belt Guard - Pos, B	907096	66,9
TA7315/8407BG Belt Guard - Pos, C	907097	69,4
TA4-TA12 Vertical Breather Kit	904112	1,4
For Screw Conveyor Drive		
TA7315SCA Adapter & Hdwr Kit	907070	22,8
TA7315SCP Adjustable Packing Kit	907071	1,1
TA7315SCS x 2-7/16 Drive Shaft	907074	35,0
TA7315SCS x 3 Drive Shaft	907075	37,9
TA7315SCS x 3-7/16 Drive Shaft	907076	44,2

Part Numbers

TA8407H-M

Reducer				
Description	Part No	Ref. Code	Actual Ratio	Weight kg
Twin Tapered Reducer				
TA8407H15M Metric Taper Bush Red	908007	S	15,1	231,8
TA8407H25M Metric Taper Bush Red	908006	S	25,0	231,8
TA8407H40M Metric Taper Bush Red	908005	S	39,7	230,0
Straight Hub Reducer				
TA8407H15MS x 120 mm Str Bore Red	908012	S	15,1	239,1
TA8407H25MS x 120 mm Str Bore Red	908011	S	25,0	239,1
TA8407H40MS x 120 mm Str Bore Red	908010	S	39,7	235,9

Twin Tapered Bushes			
Description	Part No	Shaft Keyseat required	Weight kg
TA8407MTBS x 85 mm SS Tpr Bu Kit	908048	22 x 7,5 x 206	21,6
TA8407MTBS x 80 mm SS Tpr Bu Kit	908047	22 x 9 x 206	20,7
TA8407MTBS x 85 mm SS Tpr Bu Kit	908046	22 x 9 x 206	19,5
TA8407MTBS x 90 mm SS Tpr Bu Kit	908045	25 x 9 x 206	18,4
TA8407MTBS x 95 mm SS Tpr Bu Kit	908044	25 x 9 x 206	17,1
TA8407MTBS x 100 mm SS Tpr Bu Kit	908043	28 x 10 x 206	16,0
TA8407MTBS x 110 mm SS Tpr Bu Kit	908042	28 x 10 x 206	12,9
Straight			
Max Bore TA8407H-M x 120 mm		32 x 15 x 293	

Accessories		
Description	Part No	Weight kg
TA7315/8407RA TA Rod Assembly	907109	19,6
TA7315/8407MM IEC Motor Mt Assy	907092	83,8
TA7315/8407CF Metric Fan Assy	907107	4,5
TA8407BS Backstop Assembly	908102	6,8
TA8407BS 40:1 Backstop Assembly	908103	7,1
TA7315/8407BG Belt Guard - Pos, B	907096	66,9
TA7315/8407BG Belt Guard - Pos, C	907097	69,4
TA4-TA12 Vertical Breather Kit	904112	1,4

Part Numbers

TA9415H-M

Reducer				
Description	Part No	Ref. Code	Actual Ratio	Weight kg
Twin Tapered Reducer				
TA9415H15M Metric Taper Bush Red	909007	K	15,1	333,6
TA9415H25M Metric Taper Bush Red	909006	K	25,4	333,6
TA9415H40M Metric Taper Bush Red	909005	K	39,4	332,3
Straight Hub Reducer				
TA9415H15MS x 125 mm Str Br Red	909012	K	15,1	343,6
TA9415H25MS x 125 mm Str Br Red	909011	K	25,4	343,6
TA9415H40MS x 125 mm Str Br Red	909010	K	39,4	342,3

Twin Tapered Bushes			
Description	Part No	Shaft Keyseat required	Weight kg
TA9415MTBS x 90 mm Tpr Bush Kit	909042	25 x 9 x 217	28,4
TA9415MTBS x 95 mm Tpr Bush Kit	909041	25 x 9 x 217	27,1
TA9415MTBS x 100 mm Tpr Bush Kit	909040	28 x 10 x 217	26,0
TA9415MTBS x 110 mm Tpr Bush Kit	909039	28 x 10 x 217	22,8
TA9415MTBS x 120 mm Tpr Bush Kit	909038	32 x 11 x 217	19,6
TA9415MTBS x 125 mm Tpr Bush Kit	909037	32 x 11 x 217	17,8
Straight			
Max Bore TA9415H-M x 125 mm		32 x 18 x 310	

Accessories		
Description	Part No	Weight kg
TA9415RA TA Rod Assembly	909109	34,9
TA9415MM IEC Motor Mount Assy	909092	125,4
TA9415CF Metric Cooling Fan Assy	909107	5,6
TA9415BS Backstop Assembly	909102	9,1
TA7315/9415BS 40:1 Backstop Assy	907103	9,5
TA9415BG Belt Guard - Pos, B	909096	71,9
TA4-TA12 Vertical Breather Kit	904112	1,4

Part Numbers

TA10507H-M

Reducer				
Description	Part No	Ref. Code	Actual Ratio	Weight kg
Twin Tapered Reducer				
TA10507H15M Metric Tpr Bush Red	910007	L	15,1	464,1
TA10507H25M Metric Tpr Bush Red	910006	L	25,2	464,1
TA10507H40M Metric Tpr Bush Red	910005	L	39,7	462,3
Straight Hub Reducer				
TA10507H15MS x 150 mm Str Br Red	910012	L	15,1	472,7
TA10507H25MS x 150 mm Str Br Red	910011	L	25,2	472,7
TA10507H40MS x 150 mm Str Br Red	910010	L	39,7	470,9

Twin Tapered Bushes			
Description	Part No	Shaft Keyseat required	Weight kg
TA10507MTBS x 100 mm Tpr Bush Kit	910042	28 x 10 x 246	38,3
TA10507MTBS x 110 mm Tpr Bush Kit	910041	28 x 10 x 246	35,0
TA10507MTBS x 120 mm Tpr Bush Kit	910040	32 x 11 x 246	31,6
TA10507MTBS x 125 mm Tpr Bush Kit	910039	32 x 11 x 246	29,9
TA10507MTBS x 130 mm Tpr Bush Kit	910038	32 x 11 x 246	27,7
Straight			
Max Bore TA10507H-M x 150 mm		36 x 20 x 353	

Accessories		
Description	Part No	Weight kg
TA10507RA TA Rod Assembly	910109	39,5
TA10507MM IEC Motor Mount Assy	910092	131,3
TA10507CF Metric Cool Fan Assy	910107	5,6
TA10507BS Backstop Assembly	910102	10,7
TA10507BS 40:1 Backstop Assy	910103	11,4
TA10507BG Belt Guard - Pos, B	910096	71,9
TA4-TA12 Vertical Breather Kit	904112	1,4

Part Numbers

TA12608H-M

Reducer				
Description	Part No	Ref, Code	Actual Ratio	Weight kg
Twin Tapered Reducer				
TA12608H15M Metric Tpr Bush Red	912007	M	14,8	632,3
TA12608H25M Metric Tpr Bush Red	912006	M	25,0	633,6
TA12608H40M Metric Tpr Bush Red	912005	M	38,2	632,7
Straight Hub Reducer				
TA12608H15MS x 190 mm Str Br Red	912012	M	14,8	630,5
TA12608H25MS x 190 mm Str Br Red	912011	M	25,0	631,8
TA12608H40MS x 190 mm Str Br Red	912010	M	38,2	630,9

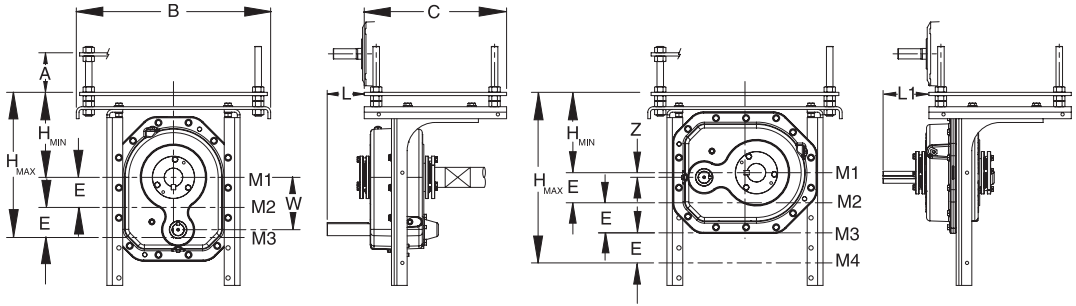
Twin Tapered Bushes			
Description	Part No	Shaft Keyseat required	Weight kg
TA12608MTBS x 125 mm SS Bush Kit	912040	32 x 11 x 295	53,4
TA12608MTBS x 130 mm SS Bush Kit	912039	32 x 11 x 295	51,0
TA12608MTBS x 150 mm SS Bush Kit	912038	36 x 12 x 295	41,1
TA12608MTBS x 160 mm Tpr Bush Kit	912037	40 x 13 x 295	35,5
Straight			
Max Bore TA12608H-M x 190 mm		45 x 21 x 424	

Accessories		
Description	Part No	Weight kg
TA10507RA TA Rod Assembly	912109	48,4
TA10507MM IEC Motor Mount Assy	912092	131,7
TA10507CF Metric Cool Fan Assy	912107	6,2
TA10507BS Backstop Assembly	912102	18,2
TA10507BS 40:1 Backstop Assy	912103	18,7
TA10507BG Belt Guard - Pos, B	912096	86,6
TA4-TA12 Vertical Breather Kit	904112	1,4

DIMENSIONS



Motor Mount - Drawings



DIMENSIONS

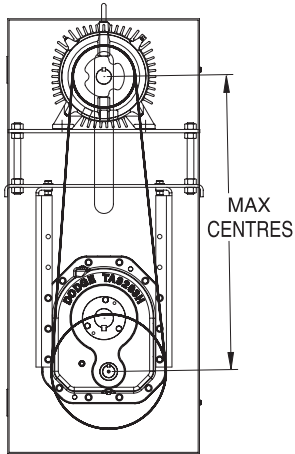


Motor Mount Dimensions (mm)

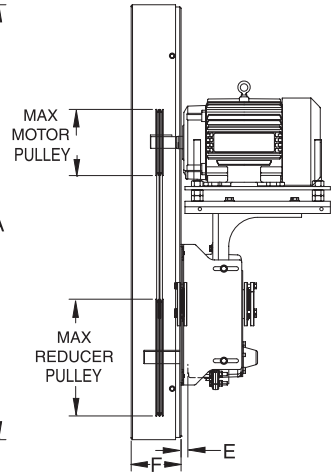
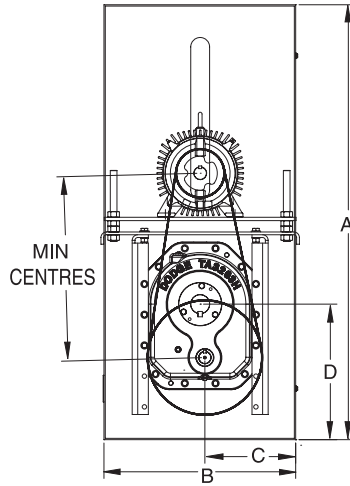
Size	Weight kg	A	B	C	D	D1	E	H		H1		L		L1		W	Z
								Min	Max	Min	Max	Min	Max	Min	Max		
TA0107L	16,1	109	416	267	259	309	60	249	369	236	417	53	140	77	164	87	23
TA1107H	17,9	122	457	349	294	349	66	183	315	183	381	52	139	76	163	114,0	0,0
TA2115H	24	107	508	349	343	405	78	230	385	227	460	59	146	86	173	138	0,0
TA3203H	39,6	116	568	416	390	457	88	249	424	235	498	55	187	78	213	153	13
TA4207H	52	115	660	464	453	542	105	279	489	280	594	83	196	110	223	186	26
TA5215H	55,7	114	672	470	517	627	130	321	580	299	688	119	232	147	259	216	42
TA6307H	72,2	115	711	533	562	681	132	337	601	337	733	115	224	144	253	233	45
TA7315H	83,8	115	856	533	638	827	152	376	681	406	863	121	231	153	263	229	131
TA8407H	83,8	115	856	533	638	827	152	376	681	406	863	147	257	179	289	235	129
TA9415H	125,4	109	782	610	737	-	127	437	564	N/A	N/A	159	277	N/A	N/A	285	120
TA10507H	131,3	109	851	610	806	-	136	510	646	N/A	N/A	177	295	N/A	N/A	505	0
TA12608H	131,7	109	871	610	826	-	142	521	663	N/A	N/A	204	347	N/A	N/A	550	0

Size	Motor Frames Accomodated
TA0107L	63, 71, 80, 90S, 90L, 100L, 112M, 132S, 132M
TA1107H	63, 71, 80, 90S, 90L, 100L, 112M, 132S, 132M, 160M
TA2115H	80, 90S, 90L, 100L, 112M, 132S, 132M, 160M, 160L
TA3203H	80, 90S, 90L, 100L, 112M, 132S, 132M, 160M, 160L, 180M, 180L
TA4207H	80, 90S, 90L, 100L, 112M, 132S, 132M, 160M, 160L, 180M, 180L, 200L
TA5215H	100L, 112M, 132S, 132M, 160M, 160L, 180M, 180L, 200L, 225S, 225M
TA6307H	112M, 132S, 132M, 160M, 160L, 180M, 180L, 200L, 225S, 225M, 250M
TA7315H	132S, 132M, 160M, 160L, 180M, 180L, 200L, 225S, 225M, 250M
TA8407H	132S, 132M, 160M, 160L, 180M, 180L, 200L, 225S, 225M, 250M
TA9415H	160M, 160L, 180M, 180L, 200L, 225S, 225M, 250M, 280S, 280M
TA10507H	160M, 160L, 180M, 180L, 200L, 225S, 225M, 250M, 280S, 280M
TA12608H	160M, 160L, 180M, 180L, 200L, 225S, 225M, 250M, 280S, 280M

Belt Guards - Drawings

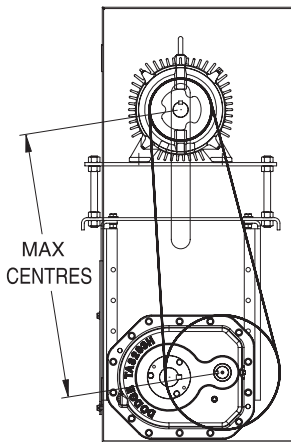


POSITION B

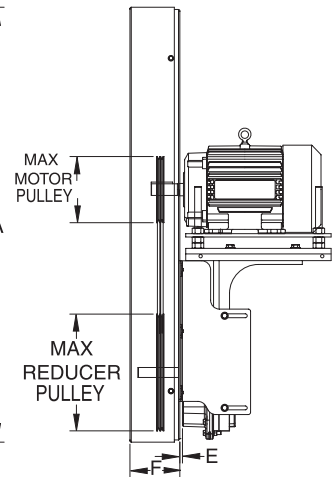
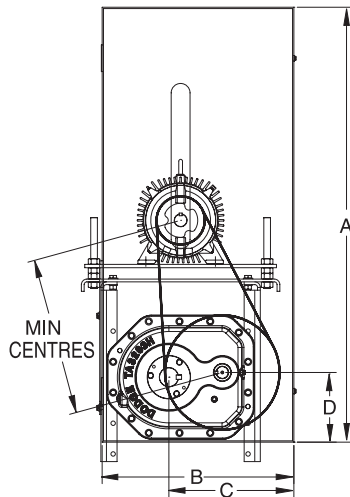


MAX MOTOR PULLEY

MAX REDUCER PULLEY



POSITION C



MAX MOTOR PULLEY

MAX REDUCER PULLEY

Metric Belt Guard Dimensions (mm)

Case Size	Mounting Position	Centres		Max Pulley Dia		A	B	C	D	E		F
		Min	Max	Motor	Reducer					Min	Max	
TA0107L	B	423	682	279	315	1054	406	203	298	1	42	107
	C	365	647	289	312	1054	406	265	186	1	42	107
TA1107H	B	406	711	274	325	1054	406	203	298	0	40	107
	C	406	668	239	239	1054	406	293	140	0	41	107
TA2115H	B	452	790	218	325	1105	489	244	323	5	41	107
	C	427	734	236	312	1105	489	332	178	5	40	107
TA3203H	B	480	871	234	427	1245	549	274	388	1	65	143
	C	381	787	401	356	1245	549	359	186	2	68	143
TA4207H	B	554	973	262	428	1359	625	312	421	0	63	143
	C	570	902	419	403	1359	625	409	211	3	69	143
TA5215H	B	652	1120	299	453	1537	701	351	464	0	62	162
	C	650	1006	471	430	1537	701	453	244	2	67	162
TA6307H	B	675	1182	325	504	1638	739	359	506	0	90	174
	C	681	1040	533	507	1638	739	456	272	0	91	174
TA7315H	B	750	1285	305	635	1816	777	470	594	0	113	187
	C	725	1108	559	635	1816	777	569	260	0	81	187
TA8407H	B	755	1290	305	641	1816	777	342	359	0	105	187
	C	729	1112	559	625	1816	777	569	260	0	73	187
TA9415H	B	889	1249	391	712	1842	803	497	666	0	89	213
TA10507H	B	1174	1545	589	782	2273	828	414	918	0	90	225
TA12608H	B	1230	1607	462	782	2273	828	414	963	0	90	225

Minimum Reducer Shaft V-Belt Pulley Diameters (mm)

Output RPM	TA0107L	TA1107H	TA2115H	TA3203H	TA4207H	TA5215H	TA6307H	TA7315H	TA8407H	TA9415H	TA10507H	TA12608H
31:1 to 40:1												
10	102	127	93	117	126	173	161	157	157	203	216	436
20	102	121	93	111	120	165	159	157	157	203	216	436
30	102	117	92	105	115	160	159	157	157	203	216	436
40	102	114	80	102	111	156	157	157	157	203	216	436
50	102	111	78	102	107	153	157	157	157	203	216	436
25:1												
10	102	162	85	117	141	155	160	157	157	203	216	241
20	102	148	84	112	134	148	159	157	157	203	216	241
30	102	144	79	110	128	144	159	157	157	203	216	241
40	102	140	79	107	123	140	158	157	157	203	216	241
50	102	137	78	106	119	138	158	157	157	203	216	242
60	102	135	78	104	116	136	158	157	157	203	216	246
70	102	133	77	103	113	134	158	157	157	203	227	272
80	102	131	78	102	111	132	159	157	157	203	240	272
15:1												
10	102	141	85	118	206	180	162	157	157	260	276	348
20	102	134	80	113	196	172	159	157	157	271	274	368
30	102	130	80	109	187	167	159	157	157	275	267	381
40	102	126	79	108	180	163	158	157	157	275	274	390
50	102	124	81	107	174	160	158	157	157	275	288	398
60	102	121	87	105	170	158	158	157	170	273	304	404
70	102	119	90	104	166	155	158	157	181	271	321	410
80	102	118	92	102	163	153	159	157	192	268	339	397
90	102	116	95	102	160	145	160	157	201	262	344	386
100	102	115	93	102	157	138	164	157	208	257	344	384
110	102	114	95	102	153	132	167	157	216	254	344	384
120	102	112	94	102	147	127	171	157	222	258	344	384
09:1												
80	134	195	152	129	257	231	243	200				
90	133	192	157	133	251	225	253	207				
100	131	188	157	137	245	220	261	212				
110	130	184	156	138	240	216	267	216				
120	128	181	154	141	236	211	274	216				
130	127	178	153	144	232	201	275	217				
140	124	176	153	144	228	193	277	218				
150	121	169	157	145	223	183	277	217				
160	119	165	157	145	217	174	275	217				
170	117	162	159	145	212	166	273	215				
180	115	157	161	140	206	160	266	211				
190	113	155	162	141	202	153	260	207				
200	111	153	164	141	197	147	254	204				

Minimum Reducer Shaft V-Belt Pulley Diameters (mm)

Output RPM	TA0107L	TA1107H	TA2115H	TA3203H	TA4207H	TA5215H	TA6307H	TA7315H	TA8407H	TA9415H	TA10507H	TA12608H
05:1												
90	235	317	165	278	252	352	383	377				
100	226	305	165	232	245	334	385	358				
110	218	294	165	210	241	316	377	339				
120	211	285	169	195	237	301	368	327				
130	205	276	164	188	235	290	366	318				
140	199	267	162	183	233	285	365	312				
150	194	259	161	178	231	284	364	307				
160	190	253	160	178	229	275	358	303				
170	185	247	159	178	229	267	356	300				
180	182	242	159	178	230	263	354	298				
190	178	236	154	178	231	257	352	297				
200	175	231	154	178	233	251	352	297				
210	171	226	149	178	236	246	341	293				
220	167	221	149	178	239	240	331	288				
230	163	217	145	178	243	235	323	285				
240	160	212	146	178	249	232	317	283				
250	156	208	142	178	244	228	311	281				
260	153	205	143	178	239	221	307	279				
270	150	201	140	178	235	218	305	278				
280	147	198	136	178	231	215	303	277				
290	145	195	133	178	227	210	301	276				
300	142	192	134	178	224	207	300	276				
310	140	188	131	178	220	205	296	276				
320	137	186	128	178	217	203	294	275				
330	135	183	125	178	214	202	292	275				
340	132	181	123	178	210	198	290	275				
350	130	178	124	178	207	196	284	268				
360	127	176	121	178	205	195	282	262				
370	127	174	118	178	202	194	277	255				
380	127	172	116	178	199	191	272	249				
390	127	170	113	178	196	190	267	244				
400	127	167	111	178	192	190	263	240				

Nominal Pulley Ratios required for 5:1, 9:1, 15:1, 25:1, 31:1, 32:1, 33:1 & 40:1

Reducer Output RPM	Nominal Reducer Ratio5:1		Reducer Output RPM	Nominal Reducer Ratio9:1		Reducer Output RPM	Nominal Reducer Ratio15:1		Reducer Output RPM	Nominal Reducer Ratio25:1		Reducer Output RPM	Nominal Reducer Ratio33:1, 32:1, 33:1	
	Motor Speed			Motor Speed			Motor Speed			Motor Speed			Motor Speed	
	1750	1450		1750	1450		1750	1450		1750	1450		1750	1450
400	1,14	1,38	200	1,03	1,24	120	1,03	1,24	80	1,14	1,38	50	1,09	1,10
395	1,13	1,36	198	1,02	1,23	118	1,01	1,22	78	1,11	1,34	48	1,14	1,06
390	1,11	1,34	196	1,01	1,22	116	1,01	1,20	76	1,09	1,31	46	1,19	1,02
385	1,10	1,33	194	1,00	1,20	114	1,02	1,18	74	1,06	1,28	44	1,24	1,03
380	1,09	1,31	192	1,01	1,19	112	1,04	1,16	72	1,03	1,24	42	1,30	1,08
375	1,07	1,29	190	1,02	1,18	110	1,06	1,14	70	1,00	1,21	40	1,37	1,13
370	1,06	1,28	188	1,03	1,17	108	1,08	1,12	68	1,03	1,17	38	1,44	1,19
365	1,04	1,26	186	1,05	1,15	106	1,10	1,10	66	1,06	1,14	36	1,52	1,26
360	1,03	1,24	184	1,06	1,14	104	1,12	1,08	64	1,09	1,10	34	1,61	1,33
355	1,01	1,22	182	1,07	1,13	102	1,14	1,06	62	1,13	1,07	32	1,71	1,42
350	1,00	1,21	180	1,08	1,12	100	1,17	1,03	60	1,17	1,03	30	1,82	1,51
345	1,01	1,19	178	1,09	1,10	98	1,19	1,01	58	1,21	1,00	28	1,95	1,62
340	1,03	1,17	176	1,10	1,09	96	1,22	1,01	56	1,25	1,04	26	2,10	1,74
335	1,04	1,16	174	1,12	1,08	94	1,24	1,03	54	1,30	1,07	24	2,28	1,89
330	1,06	1,14	172	1,13	1,07	92	1,27	1,05	52	1,35	1,12	22	2,49	2,06
325	1,08	1,12	170	1,14	1,06	90	1,30	1,07	50	1,40	1,16	20	2,73	2,27
320	1,09	1,10	168	1,16	1,04	88	1,33	1,10	48	1,46	1,21	18	3,04	2,52
315	1,11	1,09	166	1,17	1,03	86	1,36	1,12	46	1,52	1,26	16	3,42	2,83
310	1,13	1,07	164	1,19	1,02	84	1,39	1,15	44	1,59	1,32	14	3,91	3,24
305	1,15	1,05	162	1,20	1,01	82	1,42	1,18	42	1,67	1,38	12	4,56	3,78
300	1,17	1,03	160	1,22	1,01	80	1,46	1,21	40	1,75	1,45	10	5,47	4,53
295	1,19	1,02	158	1,23	1,02	78	1,50	1,24	38	1,84	1,53	8	6,84	5,66
290	1,21	1,00	156	1,25	1,03	76	1,54	1,27	36	1,94	1,61	6	9,11	7,55
285	1,23	1,02	154	1,26	1,05	74	1,58	1,31	34	2,06	1,71			
280	1,25	1,04	152	1,28	1,06	72	1,62	1,34	32	2,19	1,81			
275	1,27	1,05	150	1,30	1,07	70	1,67	1,38	30	2,33	1,93			
270	1,30	1,07	148	1,31	1,09	68	1,72	1,42	28	2,50	2,07			
265	1,32	1,09	146	1,33	1,10	66	1,77	1,46	26	2,69	2,23			
260	1,35	1,12	144	1,35	1,12	64	1,82	1,51	24	2,92	2,42			
255	1,37	1,14	142	1,37	1,13	62	1,88	1,56	22	3,18	2,64			
250	1,40	1,16	140	1,39	1,15	60	1,94	1,61	20	3,50	2,90			
245	1,43	1,18	138	1,41	1,17	58	2,01	1,67	18	3,89	3,22			
240	1,46	1,21	136	1,43	1,18	56	2,08	1,73	16	4,38	3,63			
235	1,49	1,23	134	1,45	1,20	54	2,16	1,79	14	5,00	4,14			
230	1,52	1,26	132	1,47	1,22	52	2,24	1,86	12	5,83	4,83			

Speed Increase Ratios are shown in bold type

Nominal Pulley Ratios required for 5:1, 9:1, 15:1, 25:1, 31:1, 32:1, 33:1 & 40:1

Reducer Output RPM	Nominal Reducer Ratio5:1		Reducer Output RPM	Nominal Reducer Ratio9:1		Reducer Output RPM	Nominal Reducer Ratio15:1		Reducer Output RPM	Nominal Reducer Ratio25:1		Reducer Output RPM	Nominal Reducer Ratio40:1	
	Motor Speed			Motor Speed			Motor Speed			Motor Speed			Motor Speed	
	1750	1450		1750	1450		1750	1450		1750	1450		1750	1450
225	1,56	1,29	130	1,50	1,24	50	2,33	1,93	10	7,00	5,80	50	1,14	1,38
220	1,59	1,32	128	1,52	1,26	48	2,43	2,01	8	8,75	7,25	48	1,10	1,32
215	1,63	1,35	126	1,54	1,28	46	2,54	2,10	6	11,67	9,67	46	1,05	1,27
210	1,67	1,38	124	1,57	1,30	44	2,65	2,20				44	1,01	1,21
205	1,71	1,41	122	1,59	1,32	42	2,78	2,30				42	1,04	1,16
200	1,75	1,45	120	1,62	1,34	40	2,92	2,42				40	1,09	1,10
195	1,79	1,49	118	1,65	1,37	38	3,07	2,54				38	1,15	1,05
190	1,84	1,53	116	1,68	1,39	36	3,24	2,69				36	1,22	1,01
185	1,89	1,57	114	1,71	1,41	34	3,43	2,84				34	1,29	1,07
180	1,94	1,61	112	1,74	1,44	32	3,65	3,02				32	1,37	1,13
175	2,00	1,66	110	1,77	1,46	30	3,89	3,22				30	1,46	1,21
170	2,06	1,71	108	1,80	1,49	28	4,17	3,45				28	1,56	1,29
165	2,12	1,76	106	1,83	1,52	26	4,49	3,72				26	1,68	1,39
160	2,19	1,81	104	1,87	1,55	24	4,86	4,03				24	1,82	1,51
155	2,26	1,87	102	1,91	1,58	22	5,30	4,39				22	1,99	1,65
150	2,33	1,93	100	1,94	1,61	20	5,83	4,83				20	2,19	1,81
145	2,41	2,00				18	6,48	5,37				18	2,43	2,01
140	2,50	2,07				16	7,29	6,04				16	2,73	2,27
135	2,59	2,15				14	8,33	6,90				14	3,13	2,59
130	2,69	2,23				12	9,72	8,06				12	3,65	3,02
125	2,80	2,32				10	11,67	9,67				10	4,38	3,63
120	2,92	2,42										8	5,47	4,53
115	3,04	2,52										6	7,29	6,04
110	3,18	2,64												
105	3,33	2,76												
100	3,50	2,90												

Speed Increase Ratios are shown in bold type

Output Torque Ratings (Nm) with Service Factor 1,0

Output RPM	TA0107L	TA1107H	TA2115H	TA3203H	TA4207H	TA5215H	TA6307H	TA7315H	TA8407H	TA9415H	TA10507H	TA12608H
31:1 to 40:1												
10	438	797	1261	1924	3234	5135	7371	11033	15599	21094	30635	37151
20	416	757	1252	1924	3187	5135	7029	10516	15012	21094	29162	37143
30	403	732	1241	1924	3042	5056	6817	10197	14557	20592	28252	37143
40	393	714	1231	1905	2924	4941	6661	9959	14221	20106	27576	37139
50	386	699	1198	1838	2833	4849	6535	9770	13950	19714	27035	37142
25:1												
10	438	797	1261	1924	3234	5135	7371	11033	15599	21094	30627	37083
20	416	754	1261	1924	3188	5135	7030	10515	15012	21094	29018	37045
30	403	732	1261	1924	3042	5056	6817	10196	14558	20590	27394	37057
40	393	714	1231	1905	2924	4941	6661	9960	14220	20015	26669	37046
50	386	699	1198	1838	2833	4849	6535	9770	13950	19714	25445	37057
60	379	686	1163	1783	2758	4771	6429	9610	13723	19387	24642	37056
70	373	675	1126	1738	2696	4703	6337	9471	13526	19102	24060	37054
80	368	666	1082	1698	2642	4644	6257	9349	13352	18851	23611	35626
15:1												
10	438	797	1261	1924	3234	5135	7370	11030	15599	21094	30629	37093
20	416	757	1261	1924	3188	5135	7029	10517	15013	20870	29015	37050
30	403	732	1261	1924	3042	5056	6817	10196	14557	20491	27397	37052
40	393	714	1231	1905	2924	4941	6661	9960	14220	20083	26673	37051
50	386	699	1183	1838	2832	4849	6535	9770	13832	19700	25450	37060
60	379	686	1156	1783	2758	4771	6429	9609	13658	19318	24640	37049
70	373	675	1125	1738	2695	4703	6338	9471	13481	18918	24057	37063
80	368	666	1090	1698	2642	4644	6257	9349	13335	18536	23606	35615
90	363	657	1065	1664	2596	4379	6100	9206	13171	17964	22900	34369
100	357	649	1027	1633	2554	4179	5984	8935	12995	17511	22184	33298
110	347	642	1002	1605	2479	3998	5867	8726	12840	17106	21563	32361
120	338	635	972	1580	2385	3850	5779	8504	12676	16791	21004	31533
09:1												
80	368	666	1089	1686	2566	4311	6212	9186				
90	363	653	1061	1659	2504	4204	6098	9023				
100	359	640	1031	1630	2449	4109	5984	8852				
110	355	628	998	1595	2400	4024	5868	8681				
120	352	617	968	1569	2355	3928	5777	8460				
130	347	608	943	1546	2314	3752	5654	8283				
140	339	599	922	1516	2277	3592	5542	8115				
150	333	575	912	1487	2225	3411	5428	7945				
160	326	562	897	1458	2167	3246	5312	7776				
170	320	551	883	1432	2115	3103	5197	7614				
180	315	540	871	1386	2064	2974	5054	7403				
190	310	529	859	1366	2016	2845	4930	7219				
200	305	521	848	1345	1970	2732	4810	7047				

Output Torque Ratings (Nm) with Service Factor 1,0

Output RPM	TA0107L	TA1107H	TA2115H	TA3203H	TA4207H	TA5215H	TA6307H	TA7315H	TA8407H	TA9415H	TA10507H	TA12608H
05:1												
90	379	622	805	1406	1501	3534	5083	6583				
100	365	598	780	1300	1501	3535	4930	6262				
110	352	577	760	1226	1501	3341	4762	5997				
120	341	558	752	1166	1501	3181	4608	5777				
130	331	541	720	1124	1501	3047	4490	5589				
140	322	524	698	1089	1501	2951	4389	5428				
150	314	508	682	1054	1501	2878	4296	5287				
160	306	496	666	1024	1501	2769	4194	5165				
170	300	484	650	999	1489	2670	4109	5053				
180	293	474	638	979	1461	2595	4035	4958				
190	288	463	619	960	1437	2515	3962	4872				
200	283	453	608	947	1415	2445	3900	4794				
210	276	443	590	931	1400	2373	3806	4702				
220	270	433	579	918	1384	2305	3717	4613				
230	264	425	564	904	1375	2241	3641	4536				
240	258	416	556	893	1373	2187	3571	4464				
250	253	409	542	879	1346	2134	3504	4399				
260	248	402	536	869	1321	2072	3449	4338				
270	243	395	522	861	1299	2028	3402	4282				
280	238	388	509	849	1277	1984	3358	4230				
290	234	382	497	842	1256	1936	3312	4182				
300	230	376	492	834	1239	1898	3277	4135				
310	226	370	481	825	1217	1865	3230	4094				
320	222	364	470	819	1199	1834	3191	4053				
330	218	359	459	813	1180	1806	3153	4017				
340	214	354	449	805	1162	1769	3118	3980				
350	210	350	445	798	1146	1744	3071	3909				
360	206	345	434	791	1131	1721	3034	3839				
370	202	341	425	783	1116	1698	2989	3773				
380	198	337	417	777	1102	1669	2946	3710				
390	195	333	408	770	1081	1650	2903	3652				
400	192	328	399	765	1059	1631	2863	3597				

DIMENSIONS



Thermal Power Ratings (kW) Without Fan

When no value is shown, thermal rating exceed mechanical rating

Output RPM	TA0107L*	TA1107H*	TA2115H*	TA3203H	TA4207H	TA5215H	TA6307H	TA7315H	TA8407H	TA9415H	TA10507H	TA12608H
31:1 to 40:1												
10	---	---	---	---	---	---	---	---	---	---	---	---
20	---	---	---	---	---	---	---	---	35,2	38,8	63,8	76,2
30	---	---	---	---	---	---	---	---	37,9	39,3	68,0	85,7
40	---	---	---	---	---	---	35,1	40,3	38,0	36,4	66,5	89,2
50	---	---	---	---	---	25,7	37,0	39,1	36,0	30,6	60,1	83,6
25:1												
10	---	---	---	---	---	---	---	---	---	---	---	---
20	---	---	---	---	---	---	---	---	---	45,1	69,8	82,0
30	---	---	---	---	---	---	---	---	44,5	49,1	76,8	93,5
40	---	---	---	---	---	---	---	51,0	47,2	50,1	79,4	99,1
50	---	---	---	---	---	---	---	52,2	48,1	48,5	77,8	98,8
60	---	---	---	---	---	34,3	45,9	52,0	47,4	44,7	72,4	92,6
70	---	---	---	12,2	---	33,8	47,6	50,5	45,3	38,7	63,4	80,0
80	---	---	---	11,7	---	32,8	48,9	47,7	41,6	30,6	50,7	61,0
15:1												
10	---	---	---	---	---	---	---	---	---	---	---	---
20	---	---	---	---	---	---	---	---	---	---	---	85,6
30	---	---	---	---	---	---	---	---	51,8	60,0	85,6	97,7
40	---	---	---	---	---	---	---	---	57,1	64,8	90,6	104,6
50	---	---	---	---	---	---	---	62,4	60,8	67,6	92,4	106,7
60	---	---	---	---	---	---	48,4	65,9	63,0	68,5	91,2	103,9
70	---	---	---	---	---	---	50,7	65,4	64,7	67,5	86,7	96,1
80	---	---	---	---	---	45,4	52,5	65,4	64,9	64,7	79,1	83,0
90	---	---	---	16,5	---	45,7	53,8	64,2	64,0	60,0	68,4	64,8
100	---	---	---	16,3	---	45,6	54,6	62,0	61,8	53,1	54,6	41,9
110	---	---	---	16,0	---	45,1	54,9	58,6	58,4	44,5	38,3	17,0
120	---	---	13,2	15,8	---	44,3	54,8	55,9	53,9	34,0	20,4	0
09:1												
80	---	---	---	---	---	---	50,7	73,63				
90	---	---	---	---	---	---	52,0	74,2				
100	---	---	---	---	---	---	52,9	73,9				
110	---	---	---	25,5	---	---	53,5	72,9				
120	---	---	---	20,6	---	---	53,6	70,9				
130	---	---	---	20,6	---	---	53,5	68,1				
140	---	---	---	20,6	---	---	53,0	64,4				
150	---	---	---	20,4	---	59,4	52,3	59,8				
160	---	---	16,6	20,2	---	59,2	51,2	54,4				
170	---	---	16,4	19,9	42,0	58,6	49,9	48,1				
180	---	---	16,2	19,6	41,8	57,8	48,1	41,0				
190	---	---	16,0	19,2	41,5	56,8	46,0	33,1				
200	---	---	15,7	18,8	41,1	55,5	43,6	24,7				

* Cooling Fan not available, If required mechanical power is greater than thermal power, select a larger size

DIMENSIONS



Thermal Power Ratings (kW) Without Fan

When no value is shown, thermal rating exceed mechanical rating

Output RPM	TA0107L*	TA1107H*	TA2115H*	TA3203H	TA4207H	TA5215H	TA6307H	TA7315H	TA8407H	TA9415H	TA10507H	TA12608H
05:1												
90	---	---	---	---	---	---	---	---	---	---	---	---
100	---	---	---	---	---	---	---	---	---	---	---	---
110	---	---	---	---	---	---	---	---	---	---	---	---
120	---	---	---	---	---	---	---	---	---	---	---	---
130	---	---	---	---	---	---	---	---	---	---	---	---
140	---	---	---	---	---	---	---	---	---	---	---	---
150	---	---	---	---	---	---	---	---	---	---	---	---
160	---	---	---	---	---	---	---	---	---	---	---	---
170	---	---	---	---	---	---	---	---	---	---	---	---
180	---	---	---	---	---	---	---	---	---	---	---	---
190	---	---	---	---	---	---	---	---	---	---	---	---
200	---	---	---	---	---	---	---	---	---	---	---	---
210	---	---	---	---	---	---	---	---	---	---	---	---
220	---	---	---	---	---	---	---	---	---	---	---	---
230	---	---	---	---	---	---	---	---	---	---	---	---
240	---	---	---	---	---	---	---	---	---	---	---	---
250	---	---	---	---	---	---	---	---	---	---	---	---
260	---	---	---	---	---	---	---	---	---	---	---	---
270	---	---	---	---	---	---	---	104,5	---	---	---	---
280	---	---	---	---	---	---	---	103,8	---	---	---	---
290	---	---	---	---	---	---	---	103,0	139	---	---	---
300	---	---	---	---	---	---	---	102,2	139	---	---	---
310	---	---	---	---	---	---	---	101,2	138	---	---	---
320	---	---	---	---	---	---	---	100,1	138	---	---	---
330	---	---	---	---	---	---	---	98,8	137	---	---	---
340	---	---	---	---	---	---	---	97,7	136,4	---	---	---
350	---	---	---	---	---	---	---	96,0	135,6	---	---	---
360	---	---	---	---	---	---	---	94,7	134,6	---	---	---
370	---	---	---	---	---	---	---	93,1	133,5	---	---	---
380	---	---	---	---	---	---	---	91,2	132,4	---	---	---
390	---	---	---	---	---	---	---	89,4	131,1	---	---	---
400	---	---	---	---	---	---	---	87,4	129,8	---	---	---

* Cooling Fan not available, If required mechanical power is greater than thermal power, select a larger size

DIMENSIONS



Thermal Power Ratings (kW) With Fan

When no value is shown, thermal rating exceed mechanical rating

Output RPM	TA0107L	TA1107H	TA2115H	TA3203H	TA4207H	TA5215H	TA6307H	TA7315H	TA8407H	TA9415H	TA10507H	TA12608H
31:1 to 40:1												
10	---	---	---	---	---	---	---	---	---	---	---	61
20	---	---	---	---	---	---	---	---	---	56	78	84
30	---	---	---	---	---	---	---	---	52	68	91	99
40	---	---	---	---	---	---	---	---	58	77	99	107
50	---	---	---	---	---	---	---	---	62	83	102	107
25:1												
10	---	---	---	---	---	---	---	---	---	---	---	---
20	---	---	---	---	---	---	---	---	---	---	---	112
30	---	---	---	---	---	---	---	---	---	75	112	113
40	---	---	---	---	---	---	---	---	66	83	116	127
50	---	---	---	---	---	---	---	---	73	91	125	136
60	---	---	---	---	---	---	---	---	78	98	131	138
70	---	---	---	---	---	---	---	---	82	102	133	133
80	---	---	---	---	---	---	---	---	84	103	130	121
15:1												
10	---	---	---	---	---	---	---	---	---	---	---	---
20	---	---	---	---	---	---	---	---	---	---	---	---
30	---	---	---	---	---	---	---	---	---	---	---	149
40	---	---	---	---	---	---	---	---	---	112	---	149
50	---	---	---	---	---	---	---	---	---	112	147	158
60	---	---	---	---	---	---	---	---	---	112	159	168
70	---	---	---	---	---	---	---	---	112	117	169	173
80	---	---	---	---	---	---	---	---	112	122	174	171
90	---	---	---	---	---	---	---	---	113	126	177	163
100	---	---	---	---	---	---	---	---	117	127	174	147
110	---	---	---	---	---	---	---	---	120	126	168	125
120	---	---	---	---	---	---	---	---	121	122	157	95
09:1												
80	---	---	---	---	---	---	---	---	---	---	---	---
90	---	---	---	---	---	---	---	---	---	---	---	---
100	---	---	---	---	---	---	---	---	---	---	---	---
110	---	---	---	---	---	---	---	---	---	---	---	---
120	---	---	---	---	---	---	---	---	---	---	---	---
130	---	---	---	---	---	---	---	---	---	---	---	---
140	---	---	---	---	---	---	---	---	---	---	---	---
150	---	---	---	---	---	---	---	---	---	---	---	---
160	---	---	---	---	---	---	---	---	---	---	---	---
170	---	---	---	---	---	---	---	---	---	---	---	---
180	---	---	---	---	---	---	---	---	---	---	---	---
190	---	---	---	---	---	---	---	---	---	---	---	---
200	---	---	---	---	---	---	---	---	---	---	---	---

DIMENSIONS



Thermal Power Ratings (kW) With Fan (Continued)

When no value is shown, thermal rating exceed mechanical rating

Output RPM	TA0107L	TA1107H	TA2115H	TA3203H	TA4207H	TA5215H	TA6307H	TA7315H	TA8407H	TA9415H	TA10507H	TA12608H
05:1												
90	---	---	---	---	---	---	---	---	---	---	---	---
100	---	---	---	---	---	---	---	---	---	---	---	---
110	---	---	---	---	---	---	---	---	---	---	---	---
120	---	---	---	---	---	---	---	---	---	---	---	---
130	---	---	---	---	---	---	---	---	---	---	---	---
140	---	---	---	---	---	---	---	---	---	---	---	---
150	---	---	---	---	---	---	---	---	---	---	---	---
160	---	---	---	---	---	---	---	---	---	---	---	---
170	---	---	---	---	---	---	---	---	---	---	---	---
180	---	---	---	---	---	---	---	---	---	---	---	---
190	---	---	---	---	---	---	---	---	---	---	---	---
200	---	---	---	---	---	---	---	---	---	---	---	---
210	---	---	---	---	---	---	---	---	---	---	---	---
220	---	---	---	---	---	---	---	---	---	---	---	---
230	---	---	---	---	---	---	---	---	---	---	---	---
240	---	---	---	---	---	---	---	---	---	---	---	---
250	---	---	---	---	---	---	---	---	---	---	---	---
260	---	---	---	---	---	---	---	---	---	---	---	---
270	---	---	---	---	---	---	---	---	---	---	---	---
280	---	---	---	---	---	---	---	---	---	---	---	---
290	---	---	---	---	---	---	---	---	---	---	---	---
300	---	---	---	---	---	---	---	---	---	---	---	---
310	---	---	---	---	---	---	---	---	---	---	---	---
320	---	---	---	---	---	---	---	---	---	---	---	---
330	---	---	---	---	---	---	---	---	---	---	---	---
340	---	---	---	---	---	---	---	---	---	---	---	---
350	---	---	---	---	---	---	---	---	---	---	---	---
360	---	---	---	---	---	---	---	---	---	---	---	---
370	---	---	---	---	---	---	---	---	---	---	---	---
380	---	---	---	---	---	---	---	---	128	---	---	---
390	---	---	---	---	---	---	---	---	127	---	---	---
400	---	---	---	---	---	---	---	---	126	---	---	---

Maximum Input Speed (RPM)

Case Size	Nominal Ratio				
	05	09	15	25	32/40
TA0107L	2080	1800	1791	2007	1750
TA1107H	2000	1798	1789	2005	1750
TA2115H	2080	1821	1874	2005	1750
TA3203H	1965	1847	1808	1996	1750
TA4207H	2000	1846	1800	2010	1955
TA5215H	2042	1837	1791	2000	1945
TA6307H	1978	1843	1854	1989	1916
TA7315H	2075	1943	1790	1987	1983
TA8407H	N/A	N/A	1814	1997	1983
TA9415H	N/A	N/A	1812	2035	1970
TA10507H	N/A	N/A	1811	2015	1984
TA12608H	N/A	N/A	1775	2002	1909

Maximum Output Speed (RPM)

Case Size	Nominal Ratio				
	05	09	15	25	32/40
TA0107L	400	200	120	80	57
TA1107H	400	200	120	80	57
TA2115H	400	200	120	80	53
TA3203H	400	200	120	80	54
TA4207H	400	200	120	80	50
TA5215H	400	200	120	80	50
TA6307H	400	200	120	80	50
TA7315H	400	200	120	80	50
TA8407H	N/A	N/A	120	80	50
TA9415H	N/A	N/A	120	80	50
TA10507H	N/A	N/A	120	80	50
TA12608H	N/A	N/A	120	80	50

Backstop Lift-Off Speeds (RPM)*

Case Size	Lift-Off Speed
TA0107L	875
TA1107H	875
TA2115H	875
TA3203H	825
TA4207H	780
TA5215H	720
TA6307H	610
TA7315H	490
TA8407H	610
TA9415H	490
TA10507H	480
TA12608H	450

* For best results, select reducer ratios which exceed input shaft speed required for backstop sprag lift-off

Thrust Capacity for Screw Conveyor Drives (N)

Single Reduction Reducers (05:1)

Case Size	Output Speed (RPM)						
	100	150	200	250	300	350	400
TA0107L	11421	10176	9304	8895	8548	8050	7988
TA1107H	13814	12608	11679	11141	10656	10269	9927
TA2115H	23896	21219	19644	18617	17856	17278	16834
TA3203H	26685	25946	23958	22473	21272	20285	19506
TA4207H	26685	26685	26685	26685	26685	25688	24772
TA5215H	26685	26685	26685	26685	26685	26685	26685
TA6307H	26685	25808	23901	23136	22135	21379	21068
TA7315H	t	t	t	t	t	t	t

† Consult DODGE Application Engineering

Double Reduction Reducers (09:1 thru 40:1)

Case Size	Output Speed (RPM)								
	10	25	50	75	100	125	150	176	200
TA0107L	23571	17914	13969	12142	10963	10145	9629	9211	8846
TA1107H	26685	21494	16478	14214	12742	11737	11421	10843	10296
TA2115H	26685	26685	26685	23676	21570	20236	19102	18172	17452
TA3203H	26685	26685	26685	26685	25622	23696	22326	21405	20618
TA4207H	26685	26685	26685	26685	26685	26685	26685	26685	26685
TA5215H	26685	26685	26685	26685	26685	26685	26685	26685	26685
TA6307H	26685	26685	26685	26173	23060	20930	19724	19137	18986
TA7315H	t	t	t	t	t	t	t	t	t

† Consult DODGE Application Engineering

Lubrication - Oil Recommendations

ISO Grades For Ambient Temperatures of 10°C to 51°C

Output RPM	TA0107L	TA1107H	TA2115H	TA3202H	TA4207H	TA5215H	TA6307H	TA7315H	TA8407H	TA9415H	TA10507H	TA12608H
301-400	320	320	320	220	220	220	220	220	220	220	220	220
301-400	220	220	220	150	150	150	150	150	150	150	150	150
201-300	320	320	320	220	220	220	220	220	220	220	220	220
201-300	220	220	220	150	150	150	150	150	150	150	150	150
151-200	320	320	320	220	220	220	220	220	220	220	220	220
151-200	220	220	220	150	150	150	150	150	150	150	150	150
126-150	320	320	320	220	220	220	220	220	220	220	220	220
126-150	220	220	220	150	150	150	150	150	150	150	150	150
101-125	320	320	320	320	220	220	220	220	220	220	220	220
101-125	220	220	220	220	150	150	150	150	150	150	150	150
81-100	320	320	320	320	320	220	220	220	220	220	220	220
81-100	220	220	220	220	220	150	150	150	150	150	150	150
41-80	320	320	320	320	320	220	220	220	220	220	220	220
41-80	220	220	220	220	220	150	150	150	150	150	150	150
11-40	320	320	320	320	320	320	320	320	320	320	220	220
11-40	220	220	220	220	220	220	220	220	220	220	150	150
1-10	320	320	320	320	320	320	320	320	320	320	320	320
1-10	220	220	220	220	220	220	220	220	220	220	220	220

Notes

1. Assumes auxiliary cooling where recommended in the catalogue
2. Pour point of lubricant selected should be at least 5°C lower than expected minimum ambient starting temperature
3. Extreme pressure (EP) lubricants are not necessary for average operating conditions. When properly selected for specific applications, TORQUE-ARM II backstops are suitable for use with EP lubricants
4. Special lubricants may be required for food and drug industry applications where contact with the product being manufactured may occur. Consult a lubrication manufacturer's representative for his recommendations
5. For reducers operating in ambient temperatures between -30C and -6C use a synthetic hydrocarbon lubricant, 100 ISO grade or AGMA 3 grade (for example, Mobil SHC627). Above 51C, consult DODGE Application Engineering for lubrication recommendation
6. Mobil SHC630 Series oil is recommended for high ambient temperatures

Vent and Plug Locations

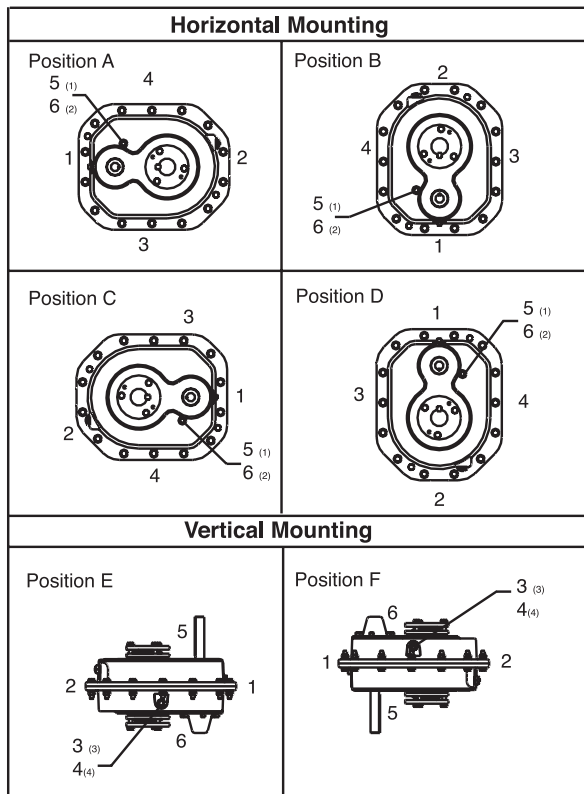
Horizontal Installations - Install the magnetic drain plug in the hole closest to the bottom of the reducer. Throw away the tape that covers the filler/ventilation plug in shipment and install plug in topmost hole. Of the 2 remaining plugs on the sides of the reducer, the lowest one is the minimum oil level plug.

Vertical installations-Install the filler/ventilation plug in the hole provided in the top face of the reducer housing. Use the hole in the bottom face for the magnetic drain plug. Of the remaining holes on the sides of the reducer, use a plug in the upper housing half for the minimum oil level plug.

Mounting Position - The running position of the reducer in a horizontal application is not limited to the four positions shown below. However, if running position is over 20° of

position “B” or “D” or 5° off position “A” or “C”, either way from the sketches, the oil level plug cannot be used to safely check the oil level, unless during the checking, the torque arm is disconnected and the reducer is swung to within 20° for position “A” or “C”, or 5° for position “B” and “D” shown in the drawing. Because of the many possible positions of the reducer, it may be necessary or desirable to make special adaptations using the lubrication fitting holes furnished along with other standard pipe fittings, stand pipes and oil level gauges as required.

Below 15 RPM output speed, oil level must be adjusted to reach the highest oil level plug. If reducer position is to vary from those shown in the drawing, either more or less oil may be required; consult DODGE Application Engineering.



(1) Input side
(2) Backtop side

(3) Far side
(4) Near side

Vent and Plug Locations

Mounting Position	Output Speed Above 15 RPM						Output Speed 15 RPM and Below					
	Vent and Plug Locations						Vent and Plug Locations					
	1	2	3	4	5	6	1	2	3	4	5	6
A	Level	Plug	Drain	Vent	Plug	Plug	Plug	Level	Drain	Vent	Plug	Plug
B	Drain	Vent	Level	Plug	Plug	Plug	Drain	Vent	Plug	Level	Plug	Plug
C	Plug	Level	Vent	Drain	Plug	Plug	Level	Plug	Vent	Drain	Plug	Plug
D	Vent	Drain	Level	Level	Plug	Plug	Drain	Drain	Level	Level	Plug	Plug
E	Level	Plug	Plug	Drain	Vent	Plug	Level	Plug	Plug	Drain	Vent	Plug
F	Plug	Drain	Level	Level	Plug	Vent	Plug	Drain	Level	Level	Plug	Vent

* Where space constraints prevent installing the breather in vent locations 5 or 6, install vent in this location and order a vertical breather kit.

Oil Volumes - By Mounting Position ^{1,2}

Case Size	Ratios	Oil Volume in Liters					
		Horizontal				Vertical	
		A (9:00)	B (6:00)	C (3:00)	D (12:00)	E (Up)	F (Down)
TA0107L	Single	0,6	0,5	0,6	1,3	1,2	1,4
	Doubles	0,6	0,5	0,6	1,3	1,2	1,3
TA1107H	Single	1,3	0,7	0,6	1,6	1,4	1,8
	Doubles	1,3	0,7	0,6	1,6	1,4	1,8
TA2115H	Single	2,0	1,2	1,0	2,5	2,2	2,9
	Doubles	2,0	1,1	1,0	2,5	2,3	2,8
TA3203H	Single	2,7	1,6	1,7	3,9	3,1	4,2
	Doubles	2,7	1,4	1,6	3,8	3,3	4,0
TA4207H	Single	4,2	2,5	2,8	7,0	6,0	7,3
	Doubles	4,2	2,4	2,6	6,9	6,0	7,1
TA5215H	Single	7,0	4,7	5,5	12,5	11,0	12,4
	Doubles	7,0	4,4	5,2	12,2	10,8	11,9
TA6307H	Single	8,3	5,5	6,2	15,3	12,5	15,3
	Doubles	8,4	5,2	5,9	15,0	13,1	14,5
TA7315H	Single	8,0	11,1	13,2	21,3	20,9	23,7
	Doubles	7,9	10,3	12,5	20,9	21,2	21,8
TA8407H	Doubles	7,3	11,1	12,9	23,8	22,7	24,4
TA9415H	Doubles	16,1	15,9	17,1	31,4	31,4	36,5
TA10507H	Doubles	36,0	26,1	24,4	50,6	50,9	53,0
TA12608H	Doubles	50,2	39,3	35,1	66,9	68,3	76,1

1, Oil Quantity is approximate, Service with lubricant until oil runs out of oil level hole,

2, Below 15 RPM output speed, oil level must be adjusted to reach the highest oil level plug, if reducer position is to vary from those shown in the drawing on the preceding page, either more or less oil may be required,

Notes

PART NUMBER



Part No.	Page	Part No.	Page	Part No.	Page	Part No.	Page
900005.	15	902009.	17	903109.	18	905052.	20
900006.	15	902010.	17	904005.	19	905053.	20
900007.	15	902011.	17	904006.	19	905054.	20
900008.	15	902012.	17	904007.	19	905055.	20
900009.	15	902013.	17	904008.	19	905056.	20
900010.	15	902014.	17	904009.	19	905070.	20
900011.	15	902070.	17	904010.	19	905071.	20
900012.	15	902071.	17	904011.	19	905073.	20
900013.	15	902072.	17	904012.	19	905074.	20
900014.	15	902073.	17	904013.	19	905075.	20
900034.	15	902074.	17	904014.	19	905076.	20
900035.	15	902075.	17	904049.	19	905092.	20
900070.	15	902092.	17	904050.	19	905096.	20
900071.	15	902096.	17	904051.	19	905097.	20
900072.	15	902097.	17	904052.	19	905102.	20
900073.	15	902102.	17	904053.	19	905103.	20
900074.	15	902109.	17	904054.	19	905107.	20
900075.	15	903005.	18	904070.	19	905109.	20
900092.	15	903006.	18	904071.	19	906005.	21
900096.	15	903007.	18	904073.	19	906006.	21
900097.	15	903008.	18	904074.	19	906007.	21
900109.	15	903009.	18	904075.	19	906008.	21
900112.	15, 17, 18	903010.	18	904076.	19	906009.	21
901005.	16	903011.	18	904092.	19	906010.	21
901006.	16	903012.	18	904096.	19	906011.	21
901007.	16	903013.	18	904097.	19	906012.	21
901008.	16	903014.	18	904102.	19	906013.	21
901009.	16	903050.	18	904103.	19	906014.	21
901010.	16	903051.	18	904107.	19	906049.	21
901011.	16	903052.	18	904109.	19	906050.	21
901012.	16	903053.	18	904112.	19, 20,	906051.	21
901013.	16	903054.	18		21, 22, 23,	906052.	21
901014.	16	903055.	18		24, 25, 26	906053.	21
901033.	17	903056.	18	905005.	20	906054.	21
901035.	17	903070.	18	905006.	20	906070.	21
901037.	17	903071.	18	905007.	20	906071.	21
901050.	16, 17	903072.	18	905008.	20	906074.	21
901051.	16, 17	903073.	18	905009.	20	906075.	21
901052.	16, 17	903074.	18	905010.	20	906076.	21
901102.	15	903075.	18	905011.	20	906092.	21
902005.	17	903092.	18	905012.	20	906096.	21
902006.	17	903096.	18	905013.	20	906097.	21
902007.	17	903097.	18	905014.	20	906102.	21
902008.	17	903102.	18	905051.	20	906103.	21

PART NUMBER



Part No.	Page	Part No.	Page	Part No.	Page	Part No.	Page
906107.....	21	908102.....	23	912092.....	26		
906109.....	21	908103.....	23	912096.....	26		
907005.....	22	909005.....	24	912102.....	26		
907006.....	22	909006.....	24	912103.....	26		
907007.....	22	909007.....	24	912107.....	26		
907008.....	22	909010.....	24	912109.....	26		
907010.....	22	909011.....	24				
907011.....	22	909012.....	24				
907012.....	22	909037.....	24				
907013.....	22	909038.....	24				
907014.....	22	909039.....	24				
907049.....	22	909040.....	24				
907050.....	22	909041.....	24				
907051.....	22	909042.....	24				
907052.....	22	909092.....	24				
907053.....	22	909096.....	24				
907054.....	22	909102.....	24				
907055.....	22	909107.....	24				
907056.....	22	909109.....	24				
907070.....	22	910005.....	25				
907071.....	22	910006.....	25				
907074.....	22	910007.....	25				
907075.....	22	910010.....	25				
907076.....	22	910011.....	25				
907092.....	22, 23	910012.....	25				
907096.....	22, 23	910038.....	25				
907097.....	22, 23	910039.....	25				
907102.....	22	910040.....	25				
907103.....	22, 24	910092.....	25				
907107.....	22, 23	910096.....	25				
907109.....	22, 23	910102.....	25				
908005.....	23	910103.....	25				
908006.....	23	910107.....	25				
908007.....	23	910109.....	25				
908010.....	23	912005.....	26				
908011.....	23	912006.....	26				
908012.....	23	912007.....	26				
908042.....	23	912010.....	26				
908043.....	23	912011.....	26				
908044.....	23	912012.....	26				
908045.....	23	912037.....	26				
908046.....	23	912038.....	26				
908047.....	23	912039.....	26				
908048.....	23	912040.....	26				



For Additional information about DODGE Bearing Products,
DODGE Gearing Products or DODGE PT Components:

- > contact your local authorized DODGE Distributor
- > contact us at **864.297.4800**
- > visit us on the web at
www.dodge-pt.com
www.PTplace.com



World Headquarters

P.O. Box 2400, Fort Smith, AR 72902-2400 U.S.A., Ph: (1) 479.646.4711, Fax (1) 479.648.5792, International Fax (1) 479.648.5895

Baldor - Dodge

6040 Ponders Court, Greenville, SC 29615-4617 U.S.A., Ph: (1) 864.297.4800, Fax: (1) 864.281.2433

www.baldor.com